

**HEY YOU,  
LET ME  
HELP!**

## GENERAL SAFETY INSTRUCTIONS

Updated manuals and declarations can also be found through: <http://support.ctouch.eu>

**Please read the following instructions carefully for safe use of your Amigo.**

**Not following instructions** can result in:

- Serious damage to Amigo and/or its components;
- Accidents resulting in bodily injury.

### PLEASE NOTE

- Do not install Amigo if the product is visibly damaged.
- Amigo is meant for indoor use only.

### BEFORE INSTALLATION

Meet the following requirements:

- Do not install alone
- Environment must be clean and dry.
- Make sure the floor is even before placing Amigo

Meet the following conditions:

- The display should not exceed the maximum load capacity of this cart: 100kg (220,46lbs) max.
- This cart is suitable for any 55–86 inch interactive CTOUCH display.

### MOVING AMIGO

Prevent damage to Amigo or bodily injury by taking care of the following:

- Relieve Amigo of any loads that may be released during the move.
- Do not move Amigo along a surface with an incline of more than 5 degrees.
- Move Amigo with at least two persons if a display is mounted.
- Carefully move over changing surface.

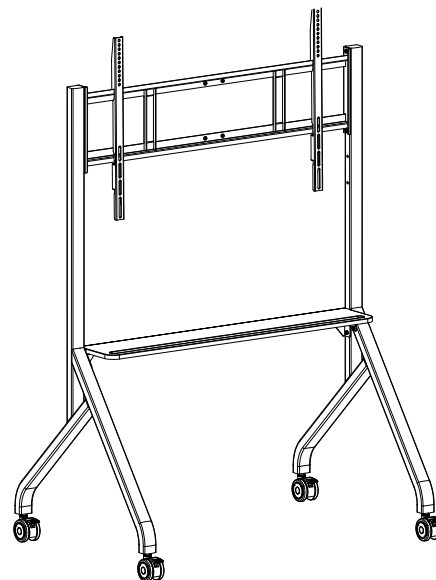
### CLEANING, MAINTAINING AND REPAIRING AMIGO

Remove dust and dirt at appropriate intervals.

- Maintenance may only be carried out by **qualified service personnel**.
- Repairs may only be carried out by **authorised repair centres** of CTOUCH Europe BV.
- Replacement parts must be 100% identical to the parts being replaced.

### IN CASE OF MALFUNCTION

- Inspect the cart for damage.
- Inspect if bolts, connections, cables and plugs are damaged.
- Contact your dealer.



# INSTALLATION MANUAL

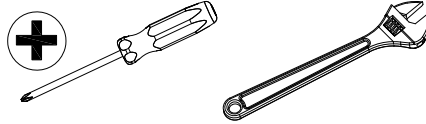
## Amigo

### IN THE BOX

#### BRING THESE TOOLS:

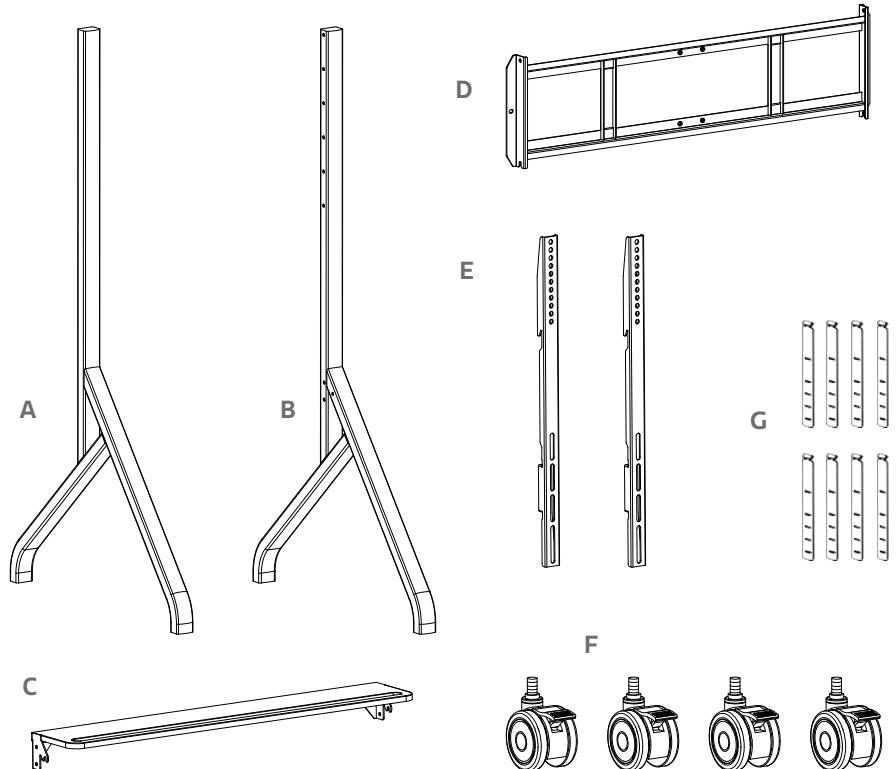
Cross screwdriver

Spanner



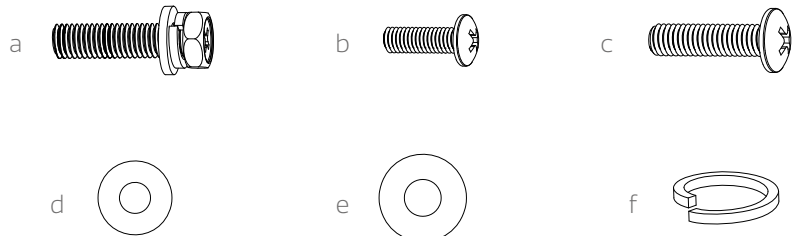
#### TROLLEY MAIN PARTS

- A. 1x Left column
- B. 1x Right column
- C. 1x Pen tray
- D. 1x Horizontal plate
- E. 2x VESA brackets
- F. 4x Wheels
- G. 8x Silicon strap



#### BOLTS, SCREWS AND WASHERS

- a. 12x M8\*20 bolts
- b. 4x M6\*16 screws
- c. 4x M8\*25 screws
- d. 4x 16\*8.5\*1.0 washers (16mm diameter)
- e. 4x 24\*12.5\*1.5 washers (24mm diameter)
- f. 4x 20\*12.5\*3.5 washers (20mm diameter)



## INSTRUCTIONS STEPS

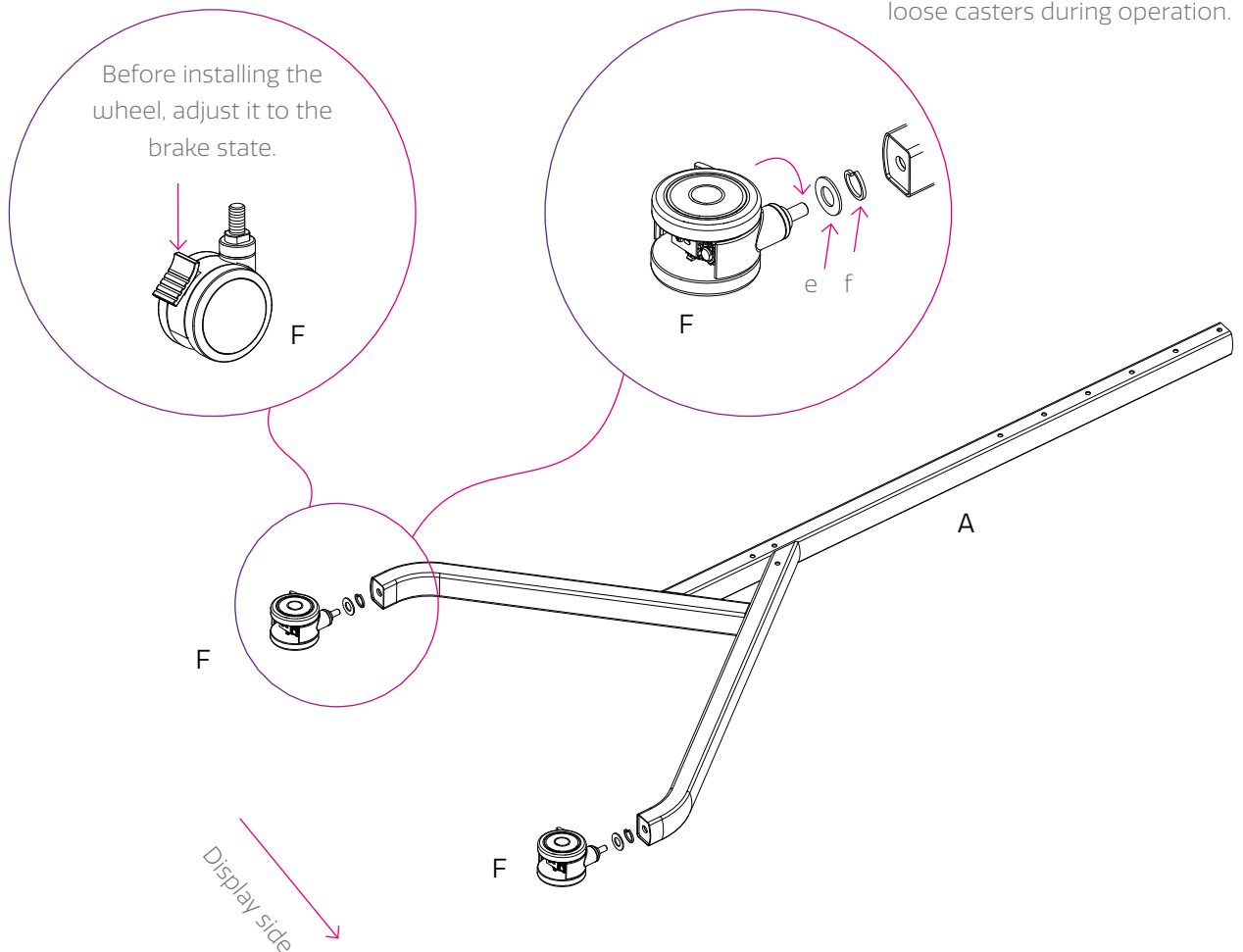
1

### INSTALL THE WHEELS

Before installing, press down the clip on the wheel (F) so that it is in the braking state, then screw the four wheels onto the left and right columns (A). Don't forget the washers (e & f).

**The braking state locks the wheels from rolling and rotating, making it easier to screw in**

Note: Tools are required to lock casters to prevent personal injury caused by loose casters during operation.

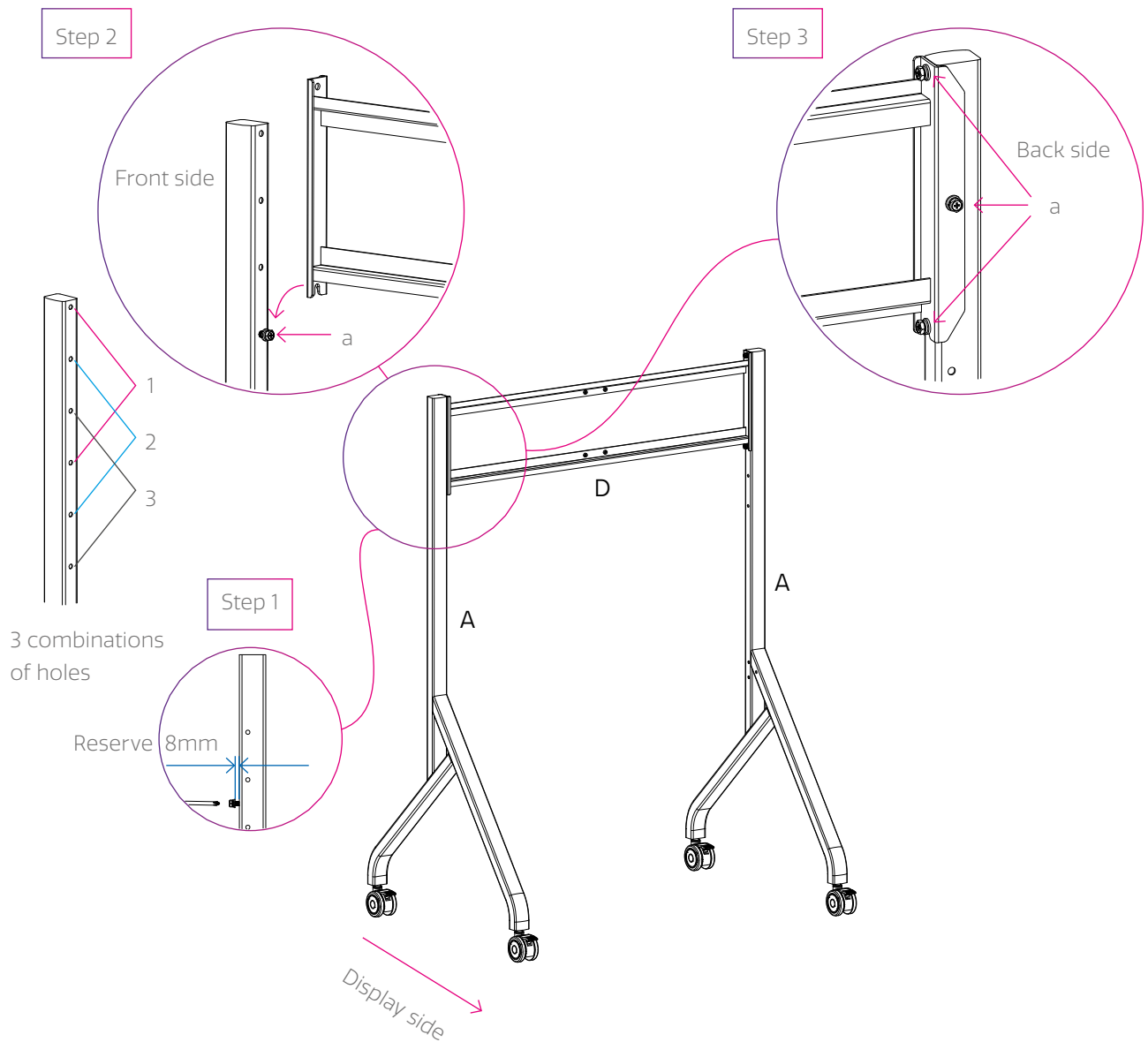


2

### INSTALL HORIZONTAL PLATE

At the top of the left and right columns (A) there are three combinations of installation holes for the horizontal plate (D). The low combination is useful for a seated space, and the high combination is useful for a presentation space. For a mix between the two we recommend the 2nd combination.

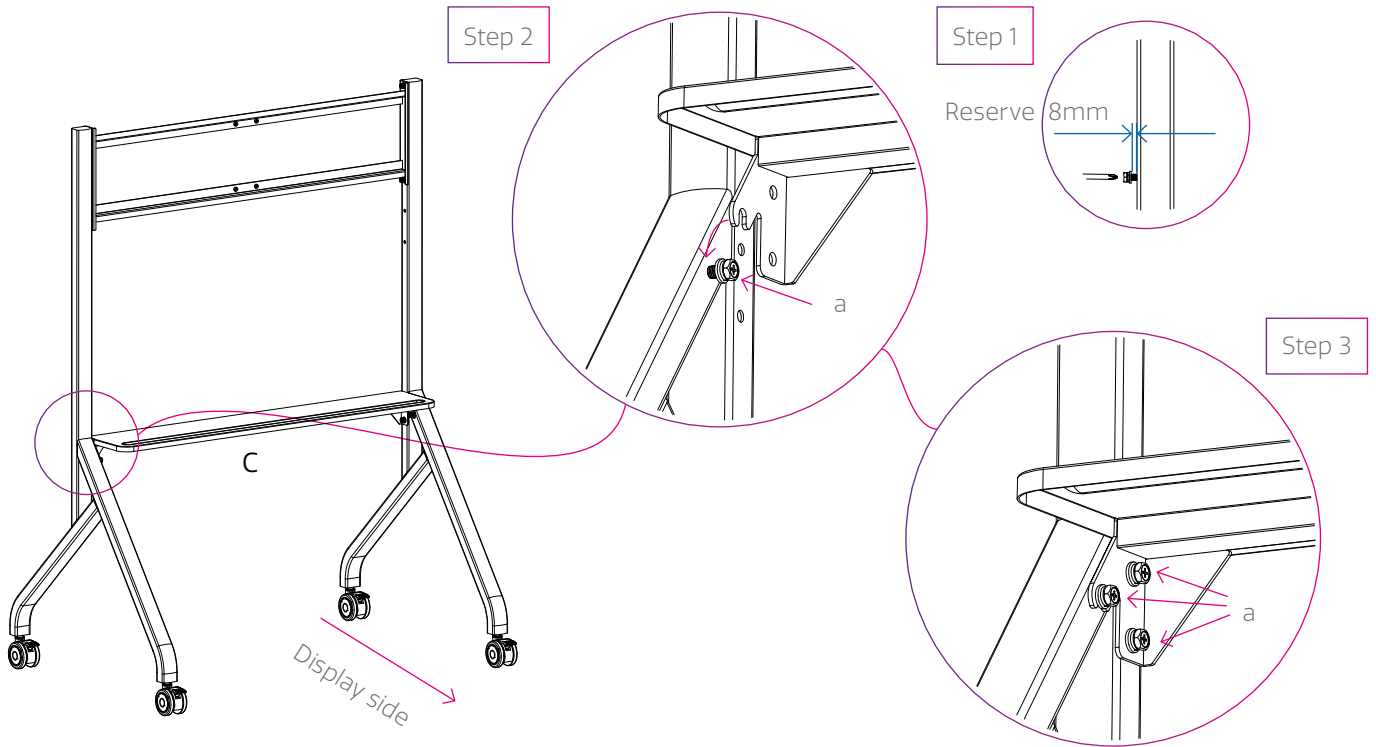
Turn a bolt (a) into the lower hole of your chosen combination in advance. Do not tighten it and reserve a distance of 8mm. Then hang up the horizontal plate and lock all six bolts (a).



3

## INSTALL PEN TRAY (C)

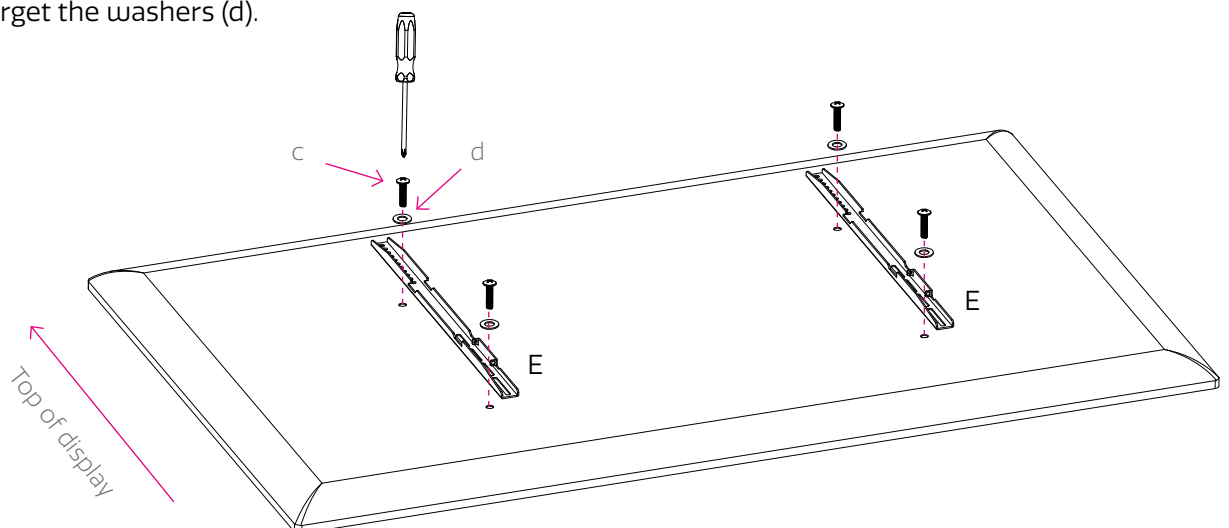
Turn a bolt (a) into the hole as shown in the image below. Do not tighten it and reserve a distance of 8mm. Then hang up the pen tray and lock all six bolts (a). Move gently to avoid scratches.



4

## INSTALL VESA BRACKETS

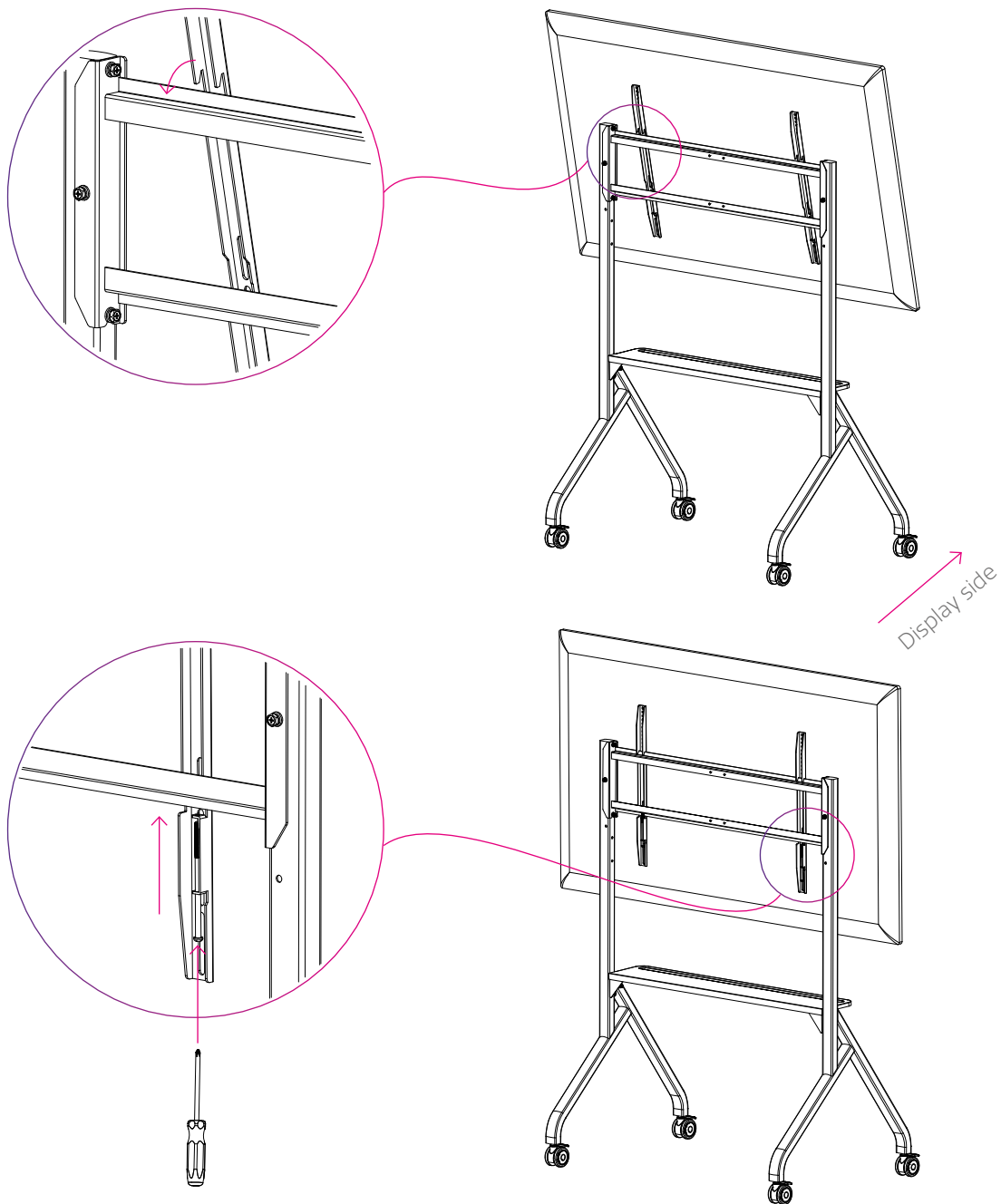
Lay the display flat with display side facing down and select the appropriate screw (b or c) to connect both VESA brackets (E) onto the display. With a CTOUCH display please use screw c. Don't forget the washers (d).



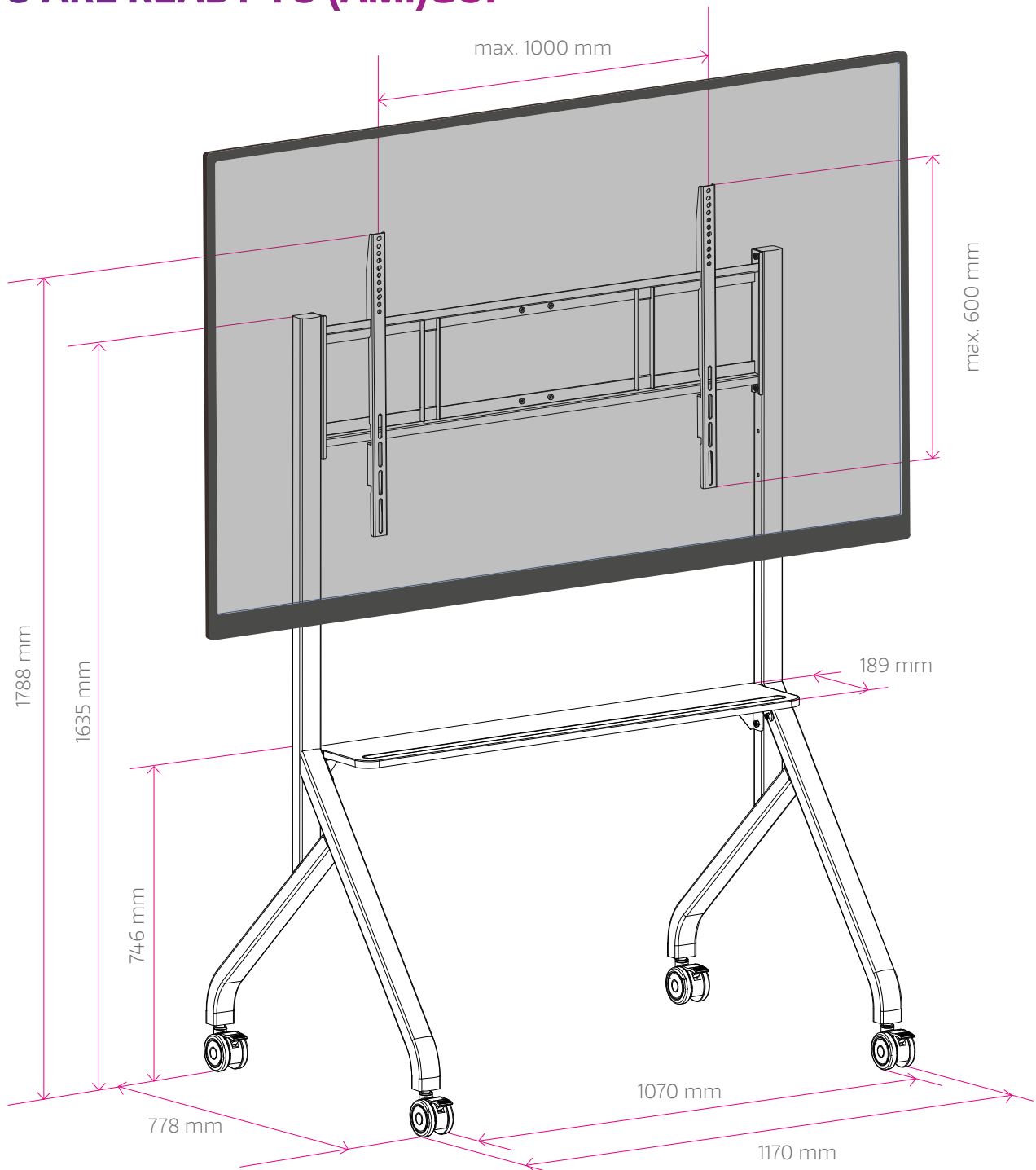
5

### HANG THE DISPLAY

Hang the display on the horizontal plate as shown, ensuring that the hooks of the VESA brackets (E) are hung on the border of the horizontal plate (D). Once hanging, fasten the safety screws at the bottom of the VESA brackets to lock the brackets onto the horizontal plate. Note: This step requires multiple people to complete.



## YOU ARE READY TO (AMI)GO!



Changes or modifications void any warranty and exclude any liability. This user manual includes detailed instructions for your product. Figures and illustrations in this user manual are provided for reference only and may differ from actual equipment appearance. Equipment design and specifications may be changed without notice.

CTOUCH Europe BV - Achtseweg zuid 153 R, 5651 GW Eindhoven, The Netherlands