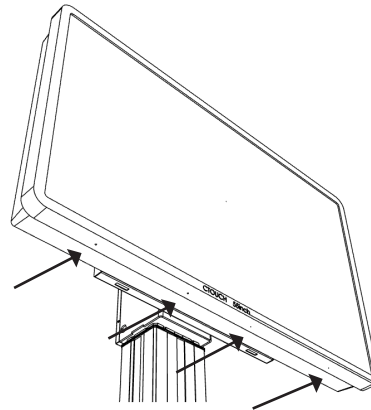
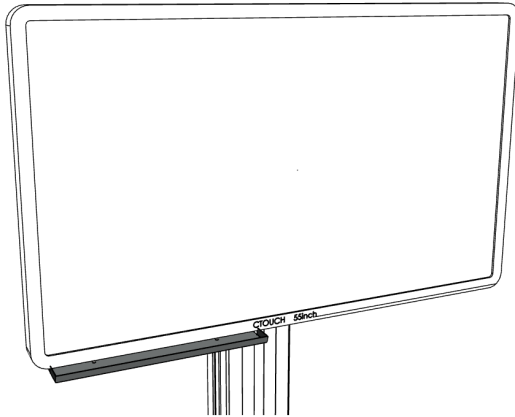


PEN TRAY 10080257

A

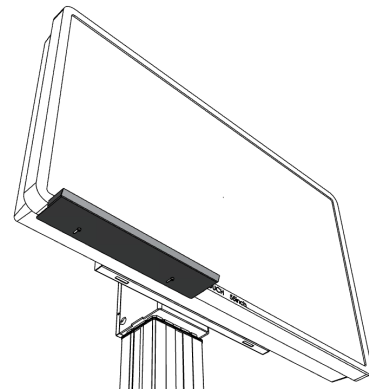
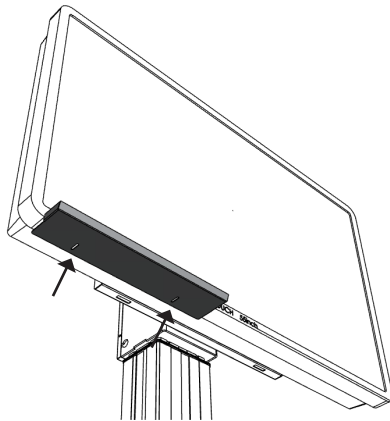


2x



STEP 1

Choose the position of the Pen tray. This can be on the left or the right at the bottom of the screen's bezel like illustrated. The position depends on the location of the lift control buttons.



STEP 2

Align the Pen tray in such a way that both holes are aligned with the holes at the bottom of the bezel. Use the 2 bolts (A) from the pen tray box.

STEP 3

Secure the pen tray with the 2 bolts.

Please refer to the lift manual for other mounting and locking safety instructions.