

CTOUCH[®] Smart innovation!

Laser 60 inch

Leddura

Lexinus

Mensa



Laser Serie

For when function matters.

High quality displays suitable for all applications. Stay connected with your audience and be utmost effective and efficient in a collaborative learning environment.

- Active IRO[®] technology, fast and accurate
- 10 point touch - use 10 fingers at the same time
- Media usb - direct playback
- Anti glare safety glass - for a clear and safe visual
- Best service & support - up to 6 years!
- Laser displays are available in the sizes 60 inch, 70 inch and 84 inch

Product number

- 10 Point touch - black bezel: 10051801
- 10 Point touch - white bezel: 10051802

Touch system

- Touch technique: Active IRO Technology®
- Touch points: 10 points
- Touch tool: Hand or other solid (soft tip) object
- Accuracy: ± 3 mm
- Read speed: More than 125 responses per second
- Response time: 7 ms
- Effective screen size (mm): 1337 (W) x 760 (H)
- Interface: USB 1.1 compatible (full speed) using VID 0 x 2200 and PID 0 x 3100. HID compliant, Plug & Play compatible, USB 2.0 and USB 3.0
- Supported OS: Windows XP, Vista, 7, 8, 8.1 (32 & 64 bits), Mac OSX, Linux
- Touch driver: Not required

Panel

- Diagonal size: 59.58" (1513.397 mm)
- Panel resolution: 1920 x 1080
- Recommended resolution: 1920 x 1080 @ 120Hz
- Brightness (Nits): 350 cd/m²
- Contrast ratio: 1600 : 1
- Response time: 5 ms (Gray to Gray)
- Aspect ratio: 16 : 9
- Display colors: 1.06 Billion colors
- Pixel pitch (mm): 0,687 (W) x 0,687 (H)
- Back light unit: Edge type LED
- Anti reflective glass: Standard

Connectivity

- Video input (digital): HDMI x 2, USB (MP3, JPG)
- Video input (analogue): RGB (VGA) / Component / Composite video / S-Video
- Audio input: RCA L/R, mini-jack 3,5 mm
- Audio out: RCA L/R, optical
- USB (for touch): USB
- Network controllable input: RS232C

Features / Convenience

VIDEO

- PSM: Warm / Cool / Normal / User
- Picture mode: Wide / Zoom / Cinema / Original / Normal

SOUND

- Stereo: MTS (Stereo / Mono)
- SSM: Standard / News / Music / Movie / Custom
- Equalizer: 2 band
- Built in speakers: 20W

FUNCTION

- Languages: English / Spanish / French / Dutch / German / Italian
- Internal PC - OPS: N.A.
- CTOUCH Soundbar xt ready: N.A.

Dimensions

- Dimensions (mm): 1436.2 (W) x 891.2 (H) x 82.3 (D)
- Product weight: 63 kg
- VESA mount (mm): 600 (W) x 400 (H)
- Green approvals: Lead free, RoHS compliant
- Regulatory approvals: CE, KC
- Thickness of safety glass: 5 mm

Total cost of ownership

- Service & warranty: 3 years
- Power consumption (max): 200 W (in rated voltage)
- Power consumption sleep mode: < 0.5 W

Product accessories- Included

- Accessoires pack: Power cable, HDMI cable, remote + battery, touch pen, multi language manual
- Connection software: Shipped with one license
- Multi touch annotation software: Shipped with one license
- Gesture software: Yes, refer to CTOUCH manual

Extras

CONNECTIVITY

- CTOUCH OPS Module i7-4700HQ, incl. Windows 8 N.A.
- CTOUCH OPS Module i7-4850HQ, incl. Windows 8 N.A.

SOUND

- CTOUCH Soundbar xt - 90 Watt: N.A.

SUPPORT & TRAINING

- Service Pack 4th, 5th & 6th year 10050105

SOFTWARE

- CTOOLS+, WizTeach, Smoothboard Air, Gynzy, Arena and more On request

MOUNTING

- CTOUCH Wallom wall lift - electric: Black: 10080201
White: 10080202
- CTOUCH WMT mobile lift - electric: 10080301
- CTOUCH WMT tilt table - electric: 10080302

Logistic information

- Box size (mm): 1600 (W) x 300 (H) x 1020 (D)
- Gross weight: 68 kg
- EAN no. Laser - black bezel 8718868301307
- EAN no. Laser - white bezel 8718868301314

Connectivity - Wired, wireless or integrated intelligence

No more hassling with cables. The OPS slot enables you to add a wireless mini pc that complies to a worldwide standard. CTOUCH OPS (Open Pluggable Specification) module brings you a powerful and reliable solution with Intel i7 processing power. WiFi, Bluetooth and Intel WiDi makes any interaction with a CTOUCH display, a true experience.

Sound - Experience sound in its unique way

The wireless CTOUCH Soundbar xt® is a robust and solid power tool, 90 watts of crystal clear sound. This soundbar comes standard on board with SPDIF Digital Audio, to give you true digital audio quality. In addition the CTOUCH Soundbar xt® is seamlessly merged within the design.

Support and training - When you need it

All CTOUCH products are plug and play and are optimally intuitive and ergonomically designed. In case you might need a hand or support on site, we'll be there. CTOUCH also offers an extensive training program to get most out of your CTOUCH display. CTOUCH teams up with you.

Software - Gain access to proven software packages

Free or nearly free software packages are included with every CTOUCH display. Annotation software, mobile device connection software and educational software are part of the deal. Let's get the best results together.

Mounting - Smooth, easy operation suits all ages

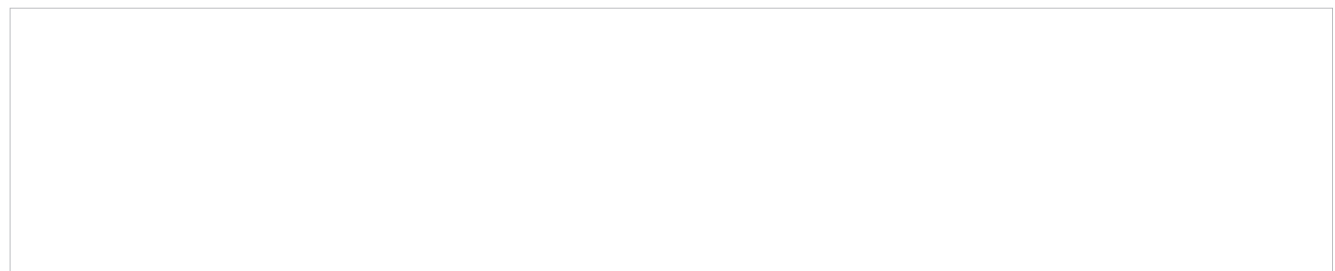
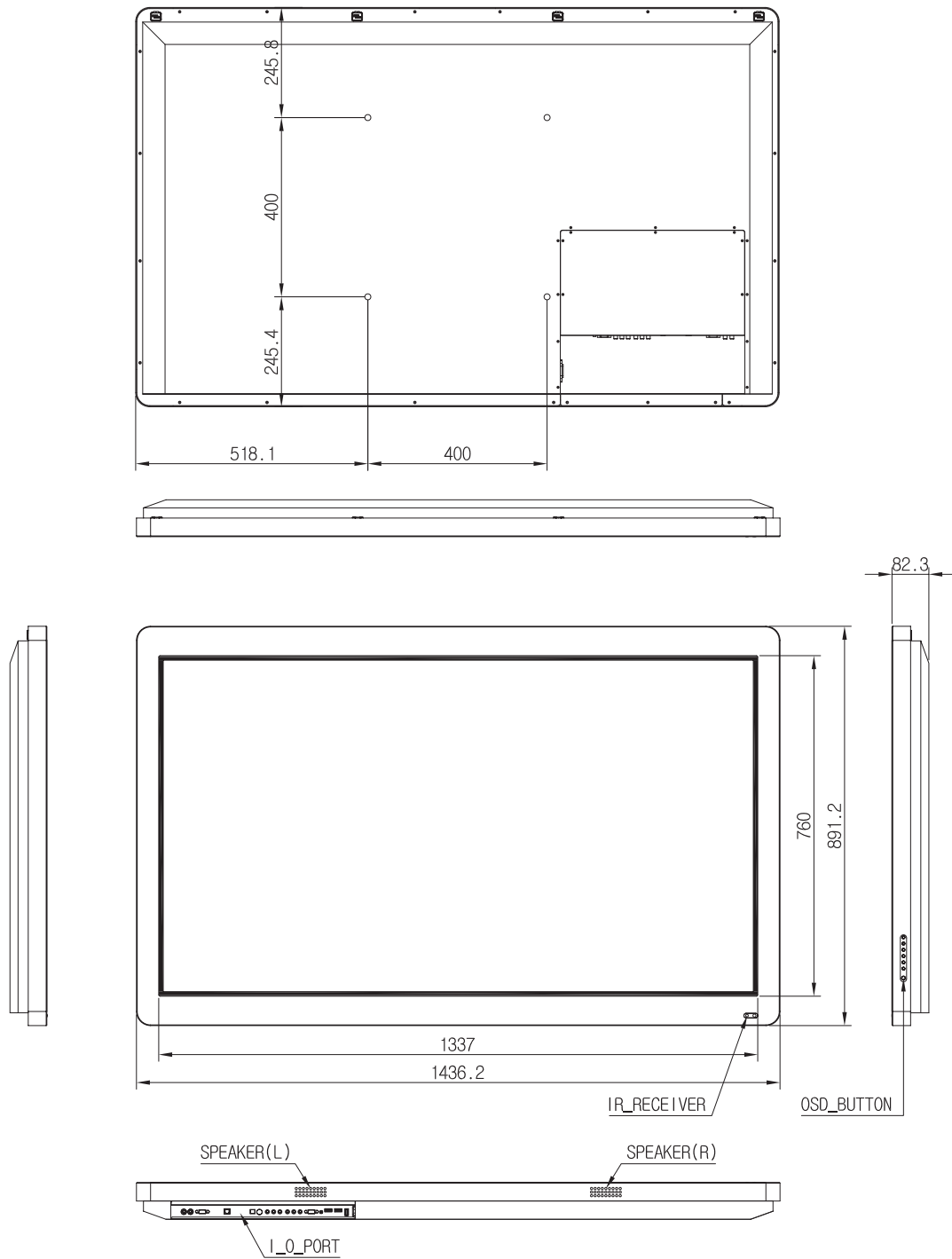
Whether you require a fixed wall mounting solution, an electrically adjustable or mobile solution or even a table solution, the CTOUCH Wallom always offers you a perfect fit. CTOUCH Wallom has a unique CTOUCH design with ergonomics at high standard. Easy to install and to operate.



Viewing the connection panel



①	USB	Connect USB memory for MP3 or JPG.
②	HDMI	Connect an HDMI device to this jack.
③	PC Audio	Audio input for PC.
④	PC	Connect a video from a computer to this jack.
⑤	Component	Connect a component video device tot this jack.
⑥	Audio	Audio input for component, video and S-Video.
⑦	S-Video	Connect a S-Video device this jack.
⑧	Digitale audio-uitgang	Optical digital audio output.
⑨	Sensor USB	Connect PC USB for touch screen.
⑩	RS232C	Connect the controller.
⑪	Audio-uitgang	Connect to external audio amplifier.
⑫	HDMI 4 (UHD)	AConnect an HDMI device for UHD to this jack.



All rights reserved. CTOUCH products and services mentioned herein as well as their respective logos are trademarks or registered trademarks of CTOUCH Europe B.V.. All other product and service names mentioned are the trademarks of their respective owners.