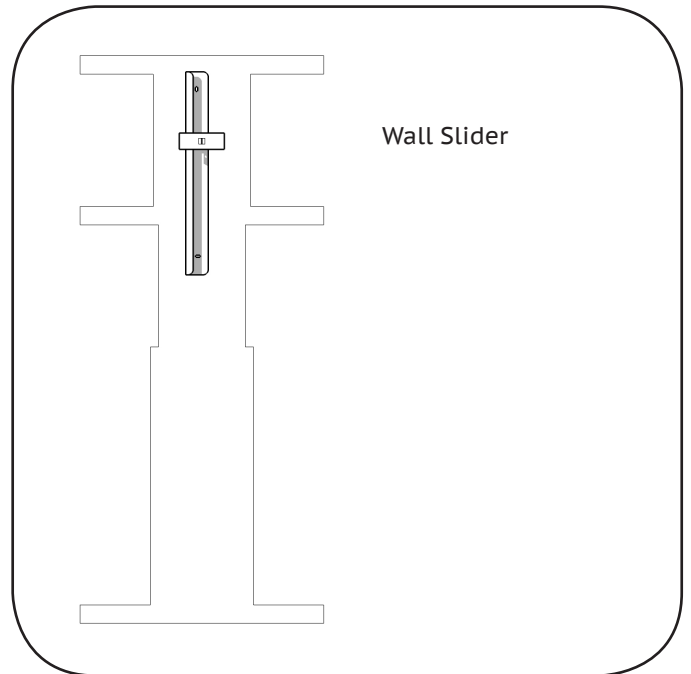
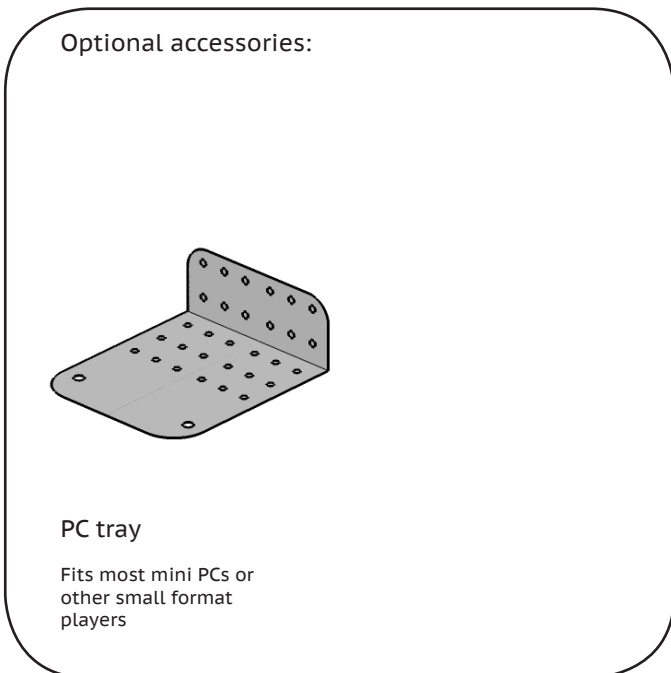
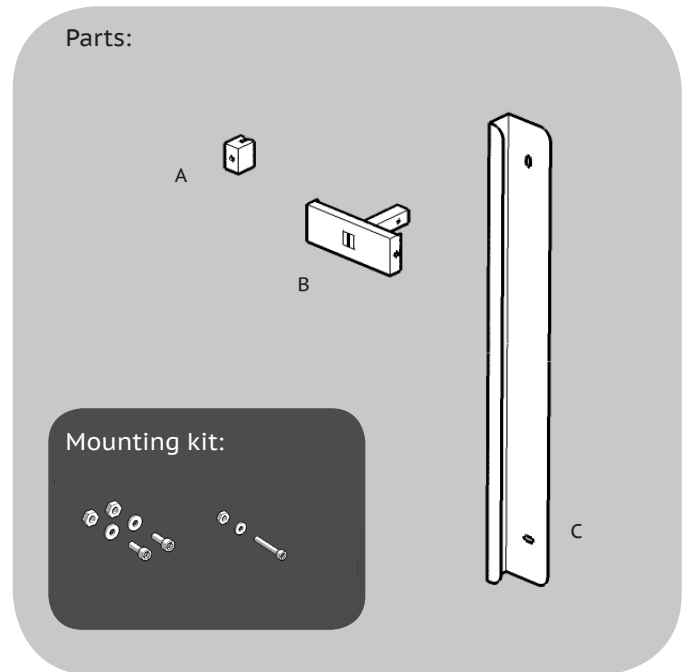


# CTOUCH Wallom WS Installation manual



# CTOUCH

Smart innovation!



**Parts:**

- A - Nylon block
- B - Interface Bracket
- C - Wall bracket

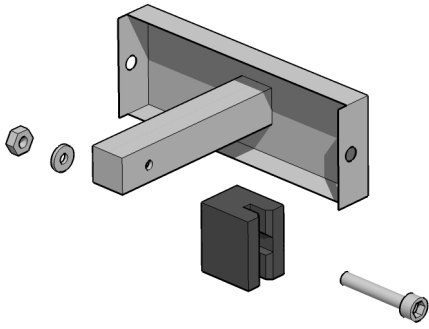
**Mounting kit:**

- 1 x M6x35mm
- 1 x M6 nut
- 1 x M6 ring
- 2 x M8x16mm
- 2 x M8 nut
- 2 x M8 ring

Changes or modifications void any warranty and exclude any liability. This user manual includes detailed instructions for your product. Figures and illustrations in this user manual are provided for reference only and may differ from actual equipment appearance. Equipment design and specifications may be changed without notice.

1

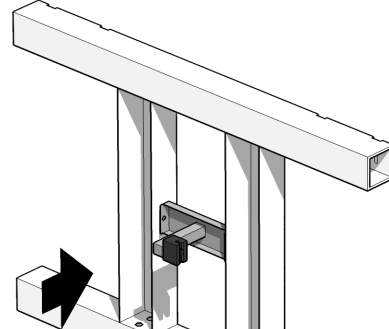
Start by putting the Nylon block (A) on the Interface bracket (B)



1 x M6x35mm  
1 x M6 nut  
1 x M6 ring

2

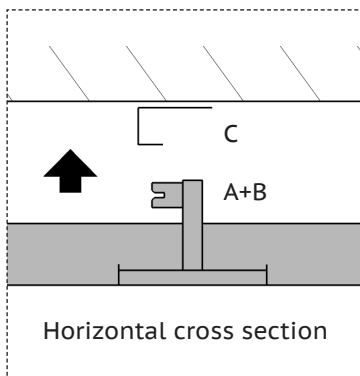
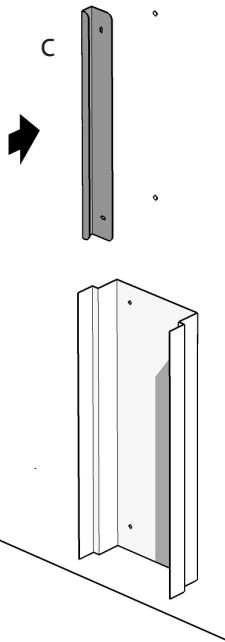
Connect the interface bracket (B) on the back of the Wallom Wall Lift interface



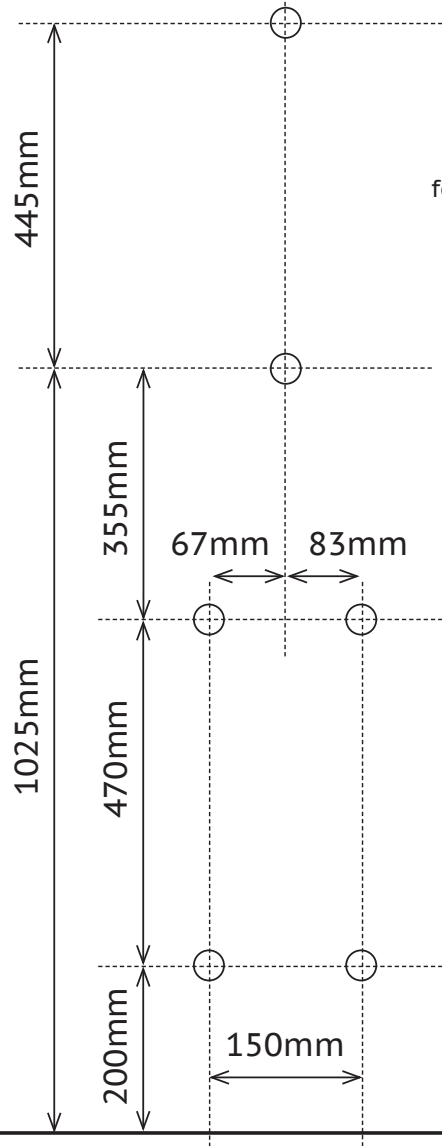
2 x M8x16mm  
2 x M8 nut  
2 x M8 ring

3

Drill a minimum of two holes in the wall and secure the Wall bracket (C) using mounting material



Horizontal cross section



Mounting pattern for Wallom Wall Slider

Mounting pattern for Wallom Wall Lift

Bring your own mounting material, depending on wall type.