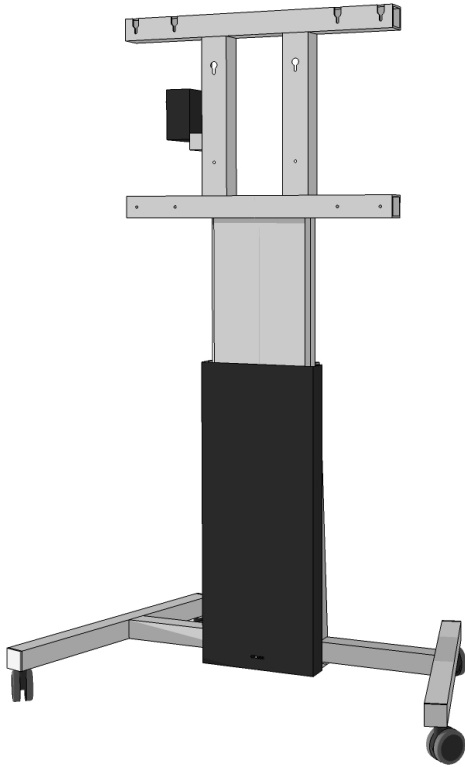
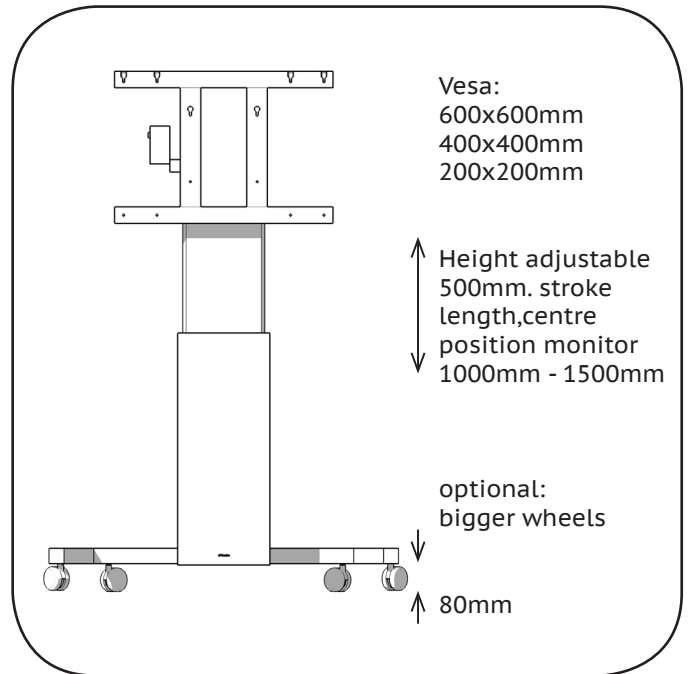


CTOUCH Wallom Mobile lift Installation manual

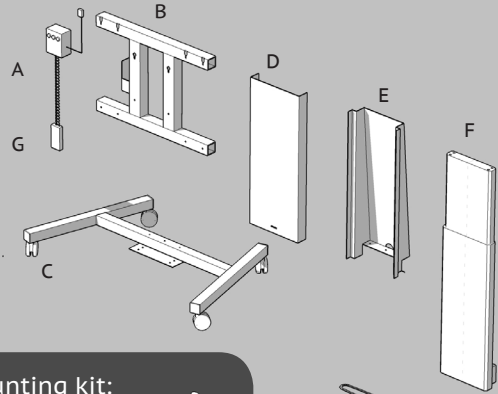


CTOUCH[®]

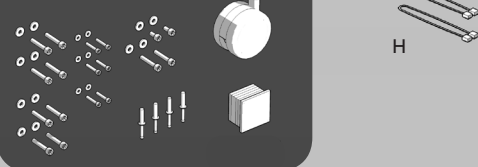
Smart innovation!



Parts:



Mounting kit:



Optional accessories:

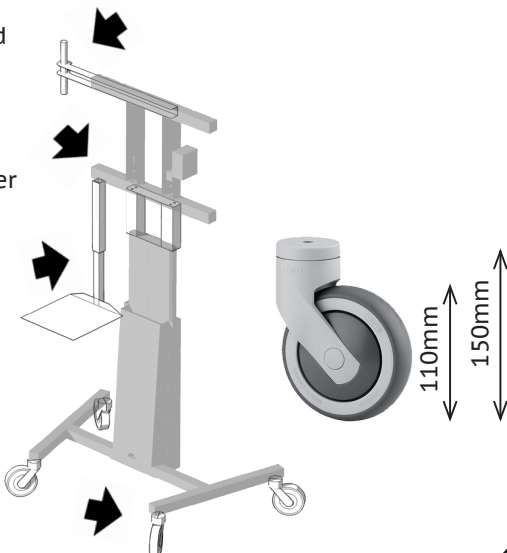
For advanced use of your mobile lift solution

1. Pushrod

2. Extender

3. Tray

4. Wheels



Parts:

- A - Power supply
- B - Interface
- C - Base
- D - Frontplate
- E - Column
- F - Electric lift
- G - Remote
- H - Powercable EU / UK

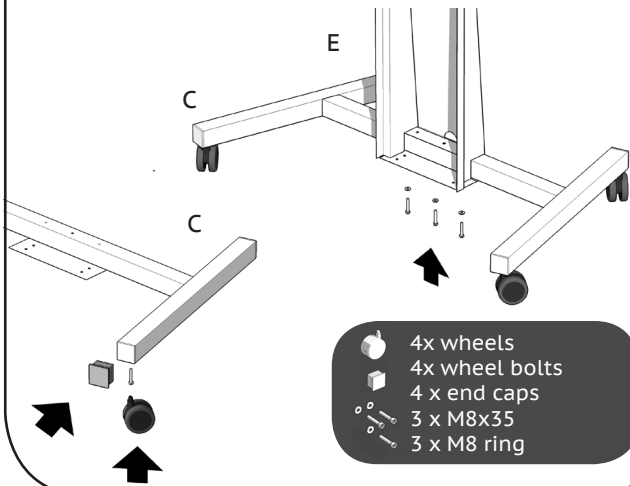
Mounting kit:

- 4x M8x16
- 4x M8x65
- 7x M8x70
- 4x M6x8
- 19x M8 ring
- 4 x M6 ring
- 1x Cable holder
- 4x End caps
- 4x Wheels
- 4x Wheel bolts

Changes or modifications void any warranty and exclude any liability. This user manual includes detailed instructions for your product. Figures and illustrations in this user manual are provided for reference only and may differ from actual equipment appearance. Equipment design and specifications may be changed without notice.

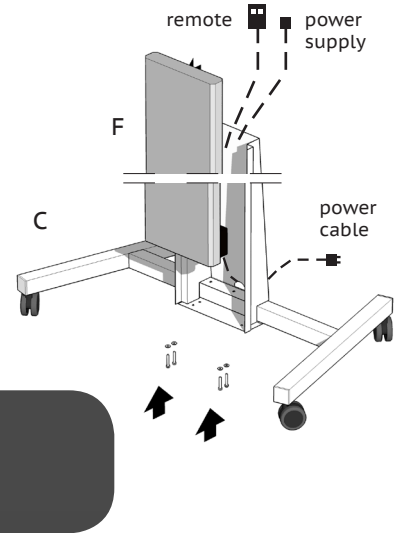
1

Place the end caps and wheels on the chasis (C). Connect the chasis (C) to the Column (E). We advice to use the two frontwheels with the break function.



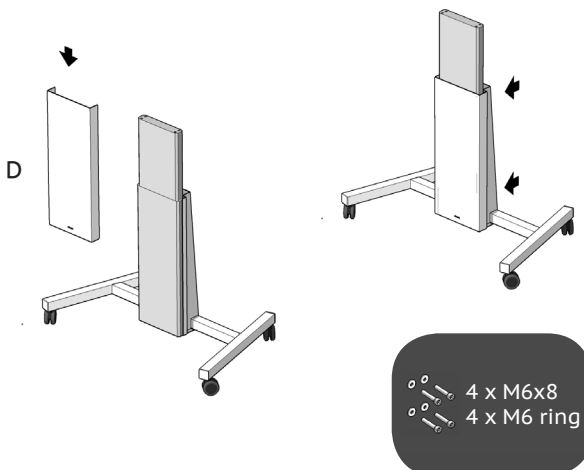
2

Place the lift (F) in the base of the Chasis (C). !Beware of cable management



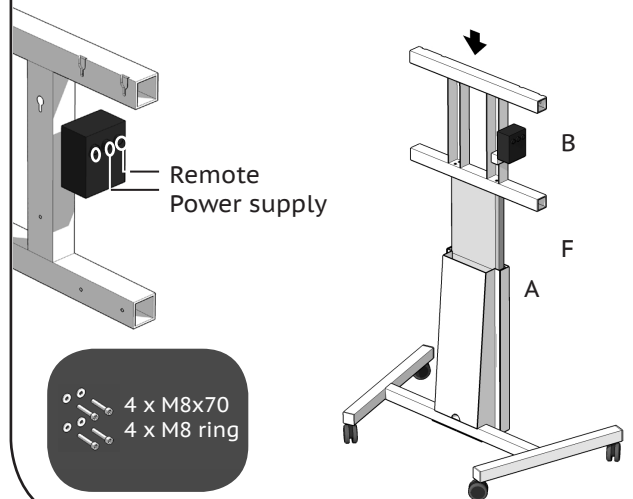
3

Lock the lift (F) by placing the Front-cover (D). Fasten screws after locking. Remender to have all the parts at hand.



4

Connect the interface (B) on the top of the lift (F). Test the lift by connecting the power supply (A)



5

Place the top two screws in back of the monitor. (monitor supplied seperately) Then place the monitor on the interface (B) and fix the top screws. Fasten the lower and top bolts and the lift is ready to use.

