

Connectivity

Wired, wireless or integrated intelligence

No more hassling with cables, The OPS slot enables you to add a wireless mini pc that complies to a worldwide standard. CTOUCH OPS (Open Pluggable Specification) module brings you a powerful and reliable solution with Intel i7 processing power. WiFi, Bluetooth and Intel WiDi makes any interaction with a CTOUCH display, a true experience.

Product number

- OPS MODULE: 10052012

System board

- Intel[®] 4th Generation Quad Core™
- Mobile Processors: i7-4700 HQ, 6MB Cache, up to 3.4 GHZ
- Intel[®] Express Chipset with AMT 9.0 function: HM87

Graphic

- 4K UHD & 2K resolution support: HD 4600 Graphic on-board

Memory / Storage

- Two DDR3L 1600MT/s SO-DIMM Sockets to support up to 16GB memory (default set 8GB)
- Default set: 128 GB MSATA SSD
- Support Removable 2.5" slim type SATA III HDD or SSD

BIOS

- AMI uEFI BIOS

V pro Support

- Remote support access: N.A.

OS

- Windows Embedded 8.1 Industry PRO

Optional Wireless connections

- Wi-Fi/BT and Wi-Di support (option)

I/O Interface-Front

- 1x Power button with LED
- 1x Reset button
- 1x HDD LED
- 4x USB 3.0
- 1x HDMI
- 1x DP
- 1x Audio jack for Line-out/MIC-In
- 2x RJ45 with LEDs for Gigabit LAN
- 1x Removable 2.5" slim type SATA HDD or SSD support
- 2x Antennas

Custom Interface-Rear

- 1x DP or HDMI or TMDS
- 1x UART
- 1x Audio out L/R
- 2x USB 2.0
- 2x USB 3.0
- 1x DC input 12 V / 5 A
- 1x Control Signa

Input Voltage

- 12V to 19V DC input

Expansion Slots

- 2x mini-PCIE slots (1x half size and 1x full size)
- 1x SIM card slot

Cooling

- Custom system fan with smart fan speed control function

OS Support

- Windows XP/XPE/7/8

Temperature / Humidity

- Operation: 0 C to 45 C, 0% -90%, non-condensing
- Storage: -20 C to 80 C, 0% -90%, non-condensing
- Humidity: 10 to 90% (non-condensing)

Construction

- Aluminum Casing

Dimension

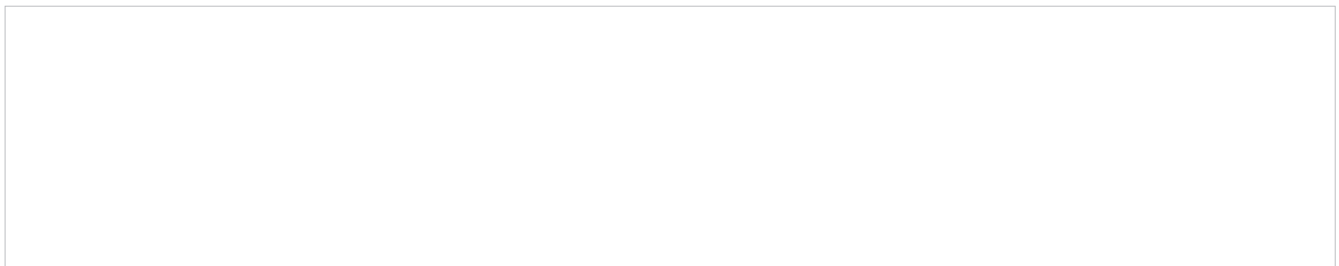
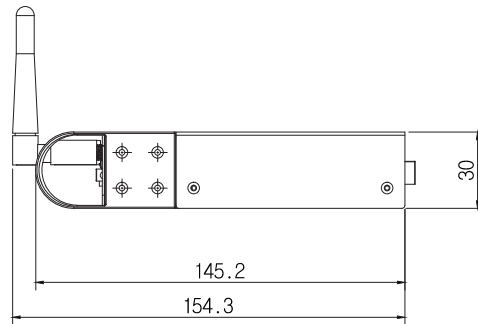
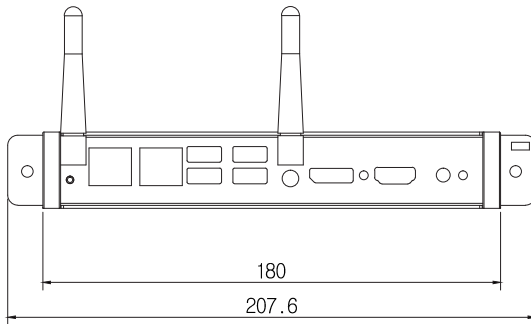
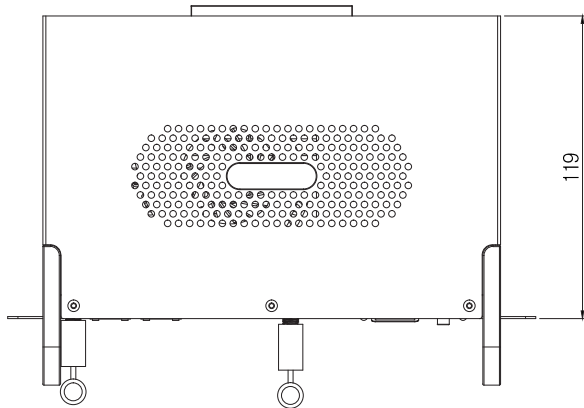
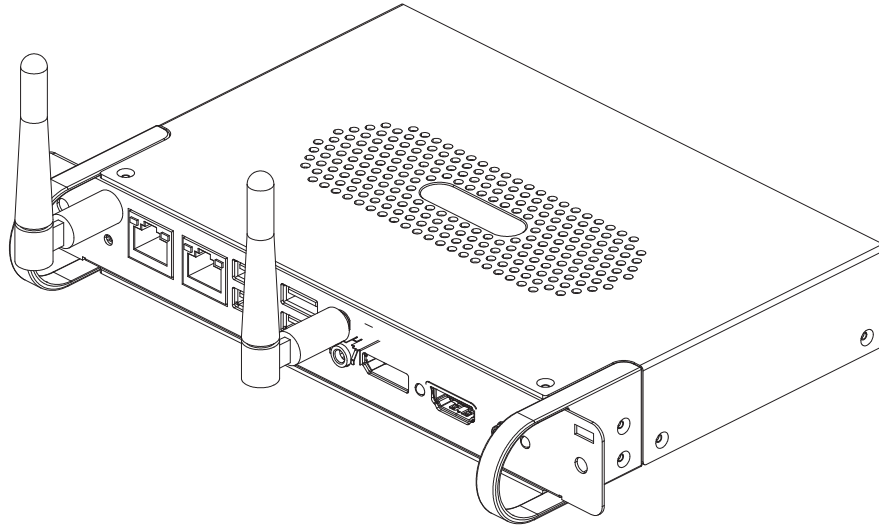
- 200 x 119 x 30 mm (OPS compliant)

Warranty

- 3 years - carry in

Logistic dimensions

- Box size (mm): 230 (W) x 190 (H) x 160 (D)
- Gross weight: 0,5 kg
- EAN no.: 8718868301437



All rights reserved. CTOUCH products and services mentioned herein as well as their respective logos are trademarks or registered trademarks of CTOUCH Europe B.V.. All other product and service names mentioned are the trademarks of their respective owners.