

## FIRST TIME INSTALLATION

### 1. Network

Plug the LAN-cable into the LAN-port on the bottom or side of the CTOUCH display, to connect to the internet.

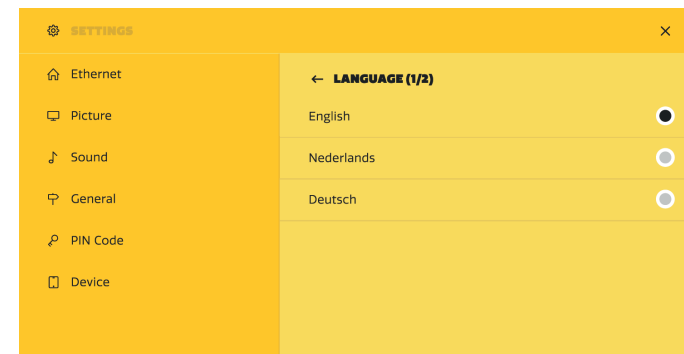
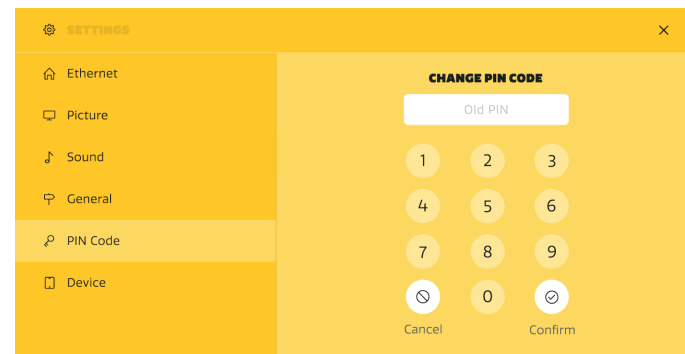
### 2. Settings menu

After switching on the CTOUCH display, access the settings menu to change the default settings:

- Press the settings button on the remote control or in the quick start menu to open the settings menu
- Use default pincode [0000] to gain access

It is advised to change default settings pincode here and note down:

Optionally change the menu language here:



### 3. Install CTOUCH BRIX

- Mount and install OPS PC
- Follow the installation procedure according to the license card provided with the BRIX

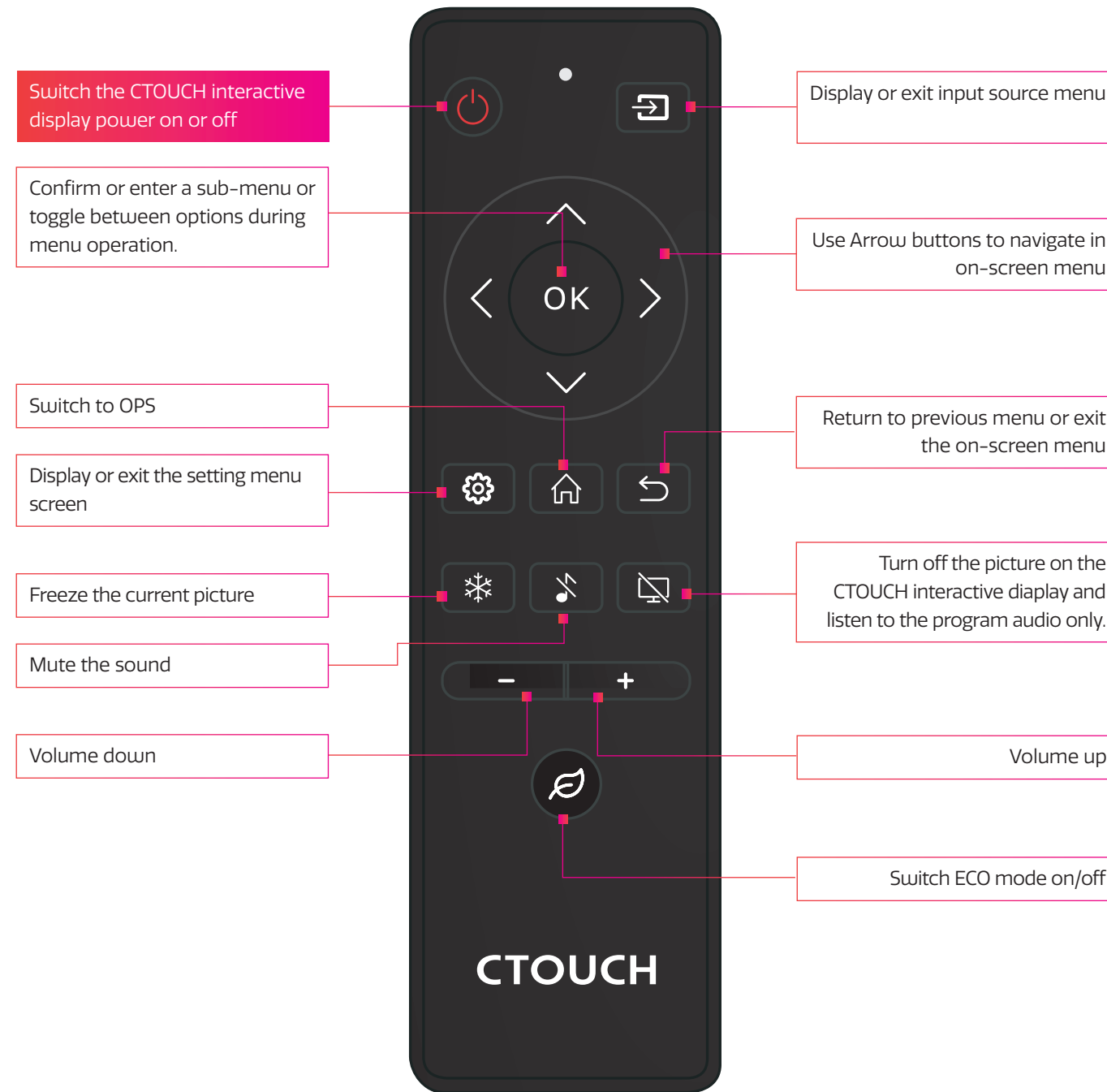
### 4. Whiteboard and sharing software

- Each Canvas screen is provided with a software license for whiteboarding software and wireless sharing software
- Follow the installation procedure according to the license card provided with the Canvas screen to install these packages on an OPS or an external PC

### OTHER QUESTIONS

For User manual, other documentation or support, please visit [support.ctouch.eu](https://support.ctouch.eu).

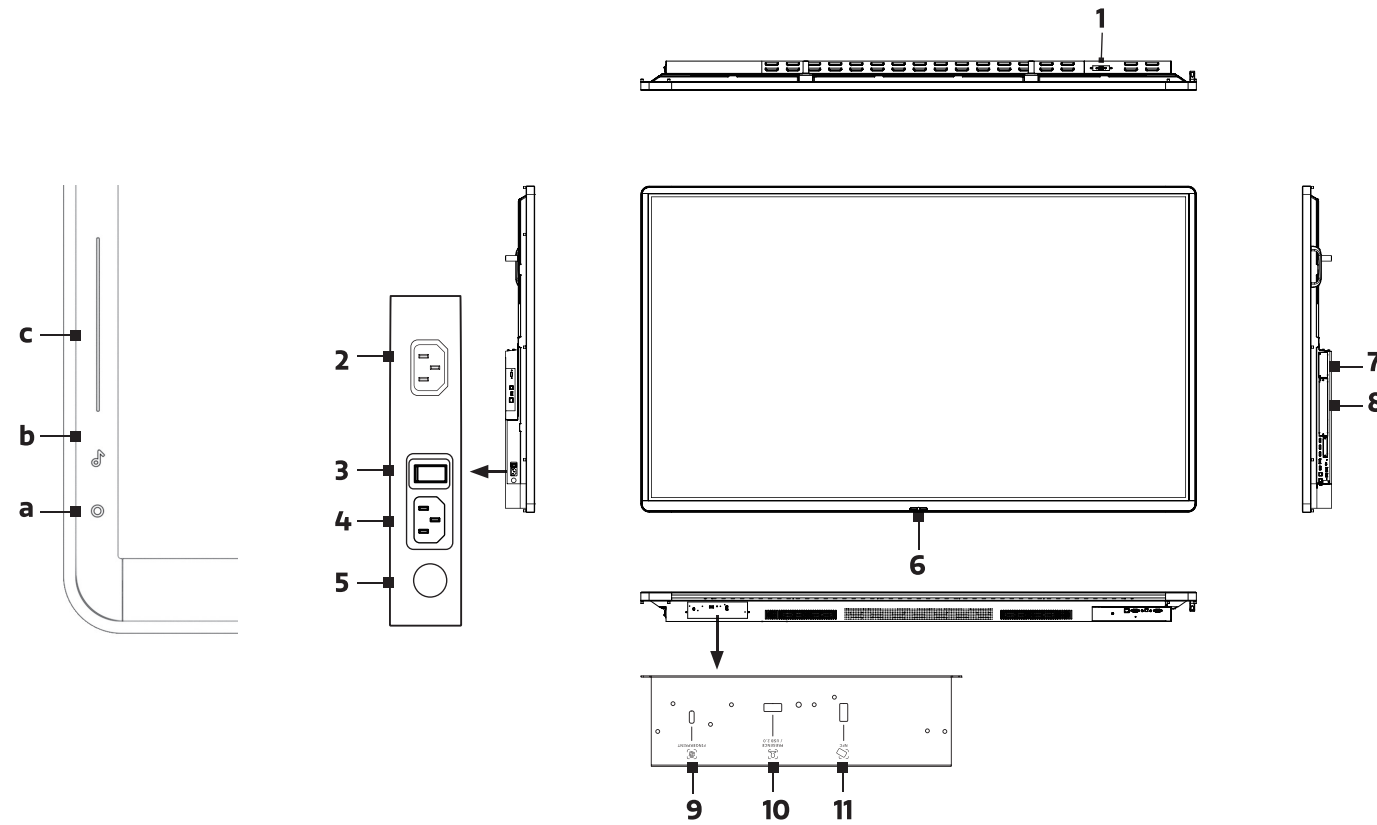
## REMOTE CONTROL



1556V20214-EN

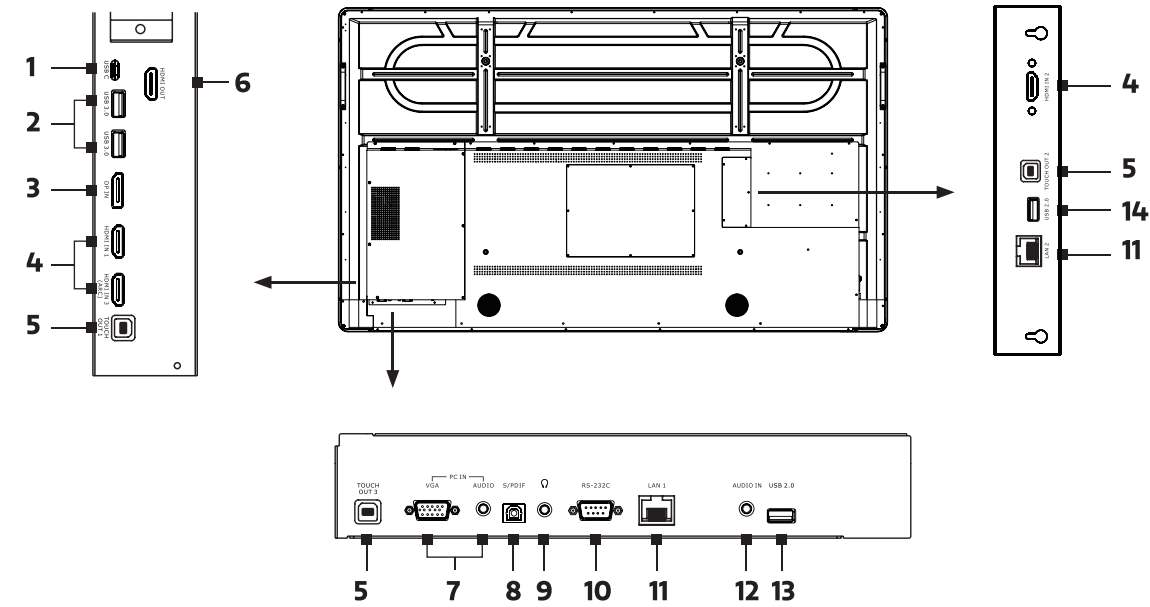
**HEY YOU,  
START  
ME UP!**

## CONTROL PANEL



CTOUCHABLE BUTTONS	DESCRIPTION
<b>a</b> CTOUCH button on/ off	Power: Press the button for 2 seconds to turn the CTOUCH interactive display on. Quick start menu: Press button once to call up the quick start menu
<b>b</b> Mute	Turn sound on or off.
<b>c</b> Volume slider	Change sound volume.
NR.	DESCRIPTION
<b>1</b> USB (3.0) (for camera)	This port is designed for connecting a webcam.
<b>2</b> AC out	Connect external device that is switched on/off with the screen.
<b>3</b> Power switch	Push (I) to turn on the power, push (O) to cut off the power. <b>Note:</b> for safety reasons do not cover the power switch.
<b>4</b> AC IN	Plug the AC cord into this jack and into a power outlet.
<b>5</b> Fuse	12A 250VAC fuse
<b>6</b> Microphone	Voice input
<b>7</b> CTOUCH module slot	Insert a CTOUCH module (optional).
<b>8</b> OPS module slot	Insert an OPS module (optional).
<b>9</b> Fingerprint reader	Insert the CTOUCH fingerprint scanner (optional). <b>Note:</b> this port is dedicated to the fingerprint scanner, normal USB device will not work.
<b>10</b> USB 2.0	Connect an USB device to this port
<b>11</b> NCF reader	Insert the CTOUCH NFC reader (optional). <b>Note:</b> this port is dedicated to the NFC reader, normal USB device will not work.

## CONNECTION PANEL



NR.	DESCRIPTION
<b>1</b> USB-C	Connect an external device with an USB-C cable to this port. <b>Note:</b> the display supports USB 3.1 Gen 2.
<b>2</b> USB 3.0	Connect a USB device to this port.
<b>3</b> Display Port (DP) in	Connect an external device with a DP cable to this port.
<b>4</b> HDMI 1/2/3 in	Connect an external device with a HDMI cable to this port. <b>Note:</b> connect an external HDMI device which supports ARC to HDMI 3.
<b>5</b> Touch out 1/2/3	Connect an external device to support touch control of the external device on the display. <b>Note:</b> Windows is Plug & Play, for Apple a driver is needed. <b>Note:</b> Touch out 1 connects to HDMI 1, Touch out 2 connects to HDMI 2 &, Touch out 3 connects to HDMI 3, DP & VGA.
<b>6</b> HDMI out	Connect an external device with a HDMI cable to this port to output the image and sound of the CTOUCH interactive display.
<b>7</b> PC in	Connect an external device with a VGA cable and Mini Jack to this port.
<b>8</b> S/PDIF digital audio output	Connect a digital sound system to this SPDIF jack.
<b>9</b> Headphones in	Connect a headphone to this jack.
<b>10</b> RS-232C	Connect a DB-9 cable to this port for remote control, service and other uses.
<b>11</b> LAN 1/2(PoE+)	Connect the external network or router with an LAN cable to this port.
<b>12</b> Audio in	Connect an external audio device with a Mini Jack cable to this jack.
<b>13</b> USB 2.0	This USB-port is used for manual firmware updates.
<b>14</b> USB 2.0	Connect a USB device to this port.

## POWER ON / OFF

### TURNING THE CTOUCH INTERACTIVE DISPLAY ON OR OFF

1. Plug one side of the power cord into the AC power outlet and the other side into the wall socket.
2. Switch on the Power Switch to turn the CTOUCH interactive display on.
3. The display is in standby mode now. Wait a moment until the power indicator lights up, then press button on the remote or the CTOUCH button on the display, to turn the CTOUCH interactive display on.
4. Press button on the remote or the CTOUCH button on the display again, to turn the CTOUCH interactive display in standby mode.
5. Switch off the Power Switch to cut off the power completely.

**Note:** The CTOUCH interactive display needs some time to shut off correctly before it can be switched on again. By interrupting this proces the next start up can take longer.

**Note:** When there is no active source on the CTOUCH interactive display, it will go into stand-by mode after 3 minutes.

## QUICK START MENU

Press CTOUCH button to access

