

QUICK START GUIDE

15 PC MODULE
15 PRO PC MODULE
17 PC MODULE
17 PRO PC MODULE

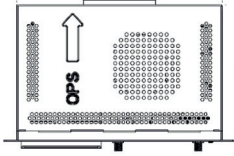
HEY YOU, START ME UP!

- 7th Gen Intel® Core™ processor family
- Supports Intel AMT™ and vPro™ (on PRO models)
- Supports TPM 2.0 (on PRO models)
- Dual Channel DDR4 2133Mhz SDRAM
- Intel HD Graphics 5 Series
- Wireless 802.11 AC Certified
- Bluetooth 4.2
- HDMI 2.0 to the display
- M.2 2242 Solid State Drive

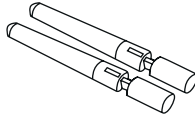
Share, inspire, have fun!
With CTOUCH by your side.

CTOUCH®

PACKING CHECKLIST



1 x OPS PC Module

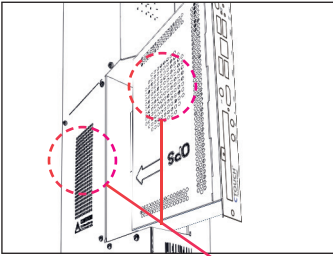


2 x Antenna



Quick start guide

INSTALL OPS PC MODULE

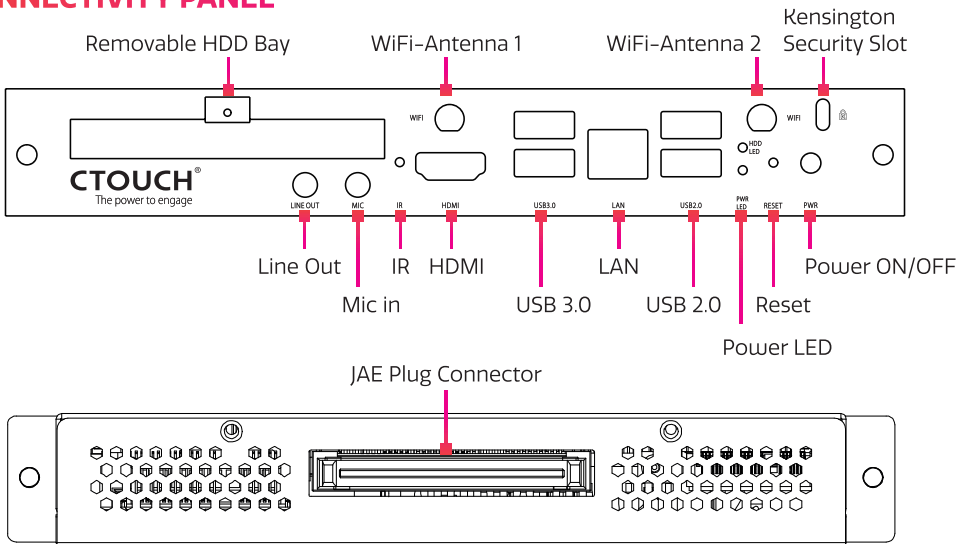


CAUTION!

- Before inserting the OPS disconnect the mains power cord of the screen.
- Make sure the vent hole of the OPS PC Module is facing the exhaust of the OPS slot on the device you want to slide in the OPS PC Module. Incorrect insertion can result in a defective OPS PC Module or OPS compatible device.

■ Vent hole

CONNECTIVITY PANEL



1195V190121

Share, inspire, have fun!
With CTOUCH by your side.

www.ctouch.eu