

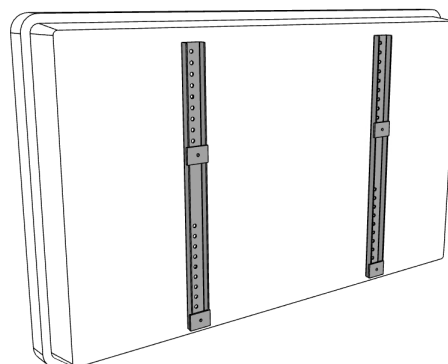
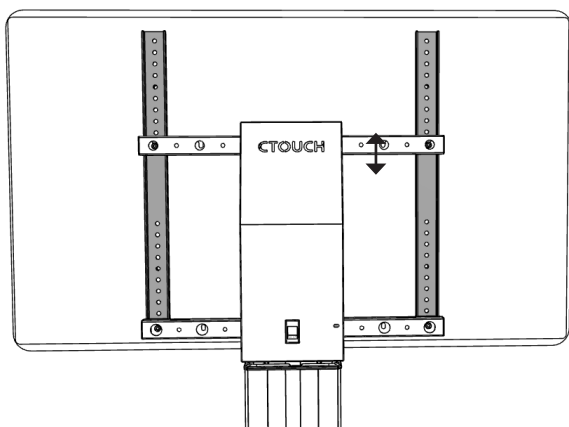
EXTENTION BRACKET 10080256

These extenders can provide 230mm extra height or extra low point when mounted upside down.

A

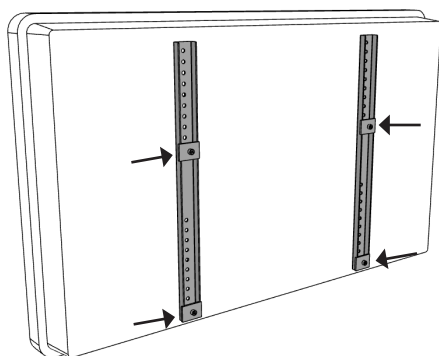


4x



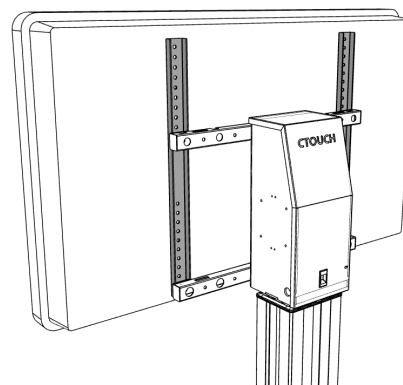
STEP 1

Place the extenders on the back of the screen. Pointing upwards like in the illustration for extra height or downwards for extra low point. Use the 4 bolts from the Wallom2 lift system to mount the extenders to the back of the display.



STEP 2

Use the 4 bolts (A) from the extender package as illustrated by the 4 arrows.



STEP 3

Mount the display with the extenders on the Wallom2 lift system.

This can be done on the Wallom2 mobile and the Wallom2 wall lift. Please refer to the lift's manual for other mounting and locking safety instructions.