

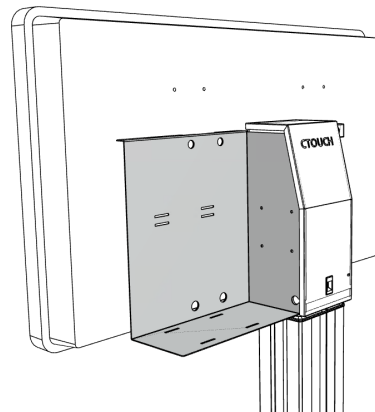
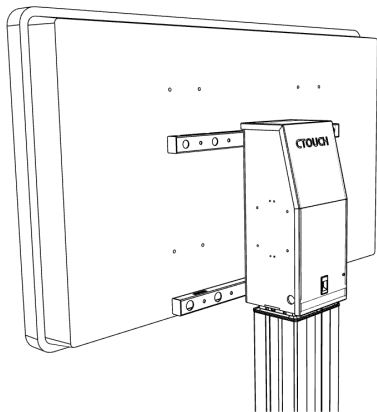
PC TOWER BRACKET 10080258

For large PC models a PC Tower bracket is available to mount at the back of the Wallom2 mobile lift. Please note that this product **CANNOT** be mounted on the Wallom2 Wall lift.

A

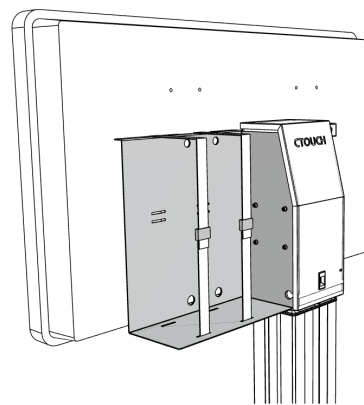
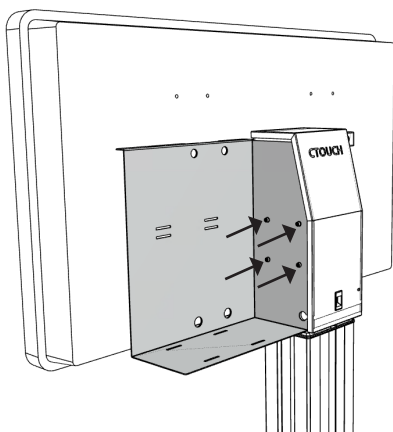


4x



STEP 1

Place the PC Tower bracket at the back of the screen. The bracket will only fit on one side, like shown in the illustration. The 4 holes will be aligned when it is mounted correctly.



STEP 2

Use the 4 bolts (A) from PC Tower bracket box.

STEP 3

2 Straps from the box can secure the PC Tower to prevent falls.

This can be done on the Wallom2 mobile. Please refer to the lift manual for other mounting and locking safety instructions.