

**TECHNICAL DATA**

**Wallom2 mobile lift**

**LET'S GET  
SPECIFIC!**

**Share, inspire, have fun!**  
**With CTOUCH by your side.**

**CTOUCH<sup>®</sup>**

### Product number

- Wallom2 mobile lift - Black (RAL 9005): Flexible and easy maneuverable lift solution for CTOUCH displays

10080251

### Mounting system

- Electrical lift system by Linak®
- Floor stand: 4 TENTE wheels, 2 with brake
- Colour lift: Aluminium, black
- Max. weight: 150 kg
- Mains voltage 240V AC, 50Hz

### Panel

- Height adjustment: Electrical
- Control panel: Up and down  
3 programmable buttons to set your personalized working height
- Lift speed: 15 mm/s - From bottom to top in 25 sec.
- Lockable storage space on the backside: 150 mm (D) x 190 mm (W) x 240 mm (H)
- Vesa dimensions:  
400 mm (W) x 400 mm (H)  
600 mm (W) x 400 mm (H)

### Optional accessories

- Extension bracket to higher or lower the display by an extra 230 mm (see nr. 1) (note: only available for the 55", 65" and 75")
- Push rod for easy maneuvering (see nr. 2)
- Bottom plate for desktop pc: 400 mm (L) x 200 mm (D) x 450 mm (H), max 5 kg (see fig. 3)
- Pen tray : 50 mm (D) x 500 mm (W) (see nr. 4)

10080256

10080255

10080258

10080257

### Quality & Safety

- TUV Certificate

### Warranty

- 5 years warranty based on carry-in (limited warranty on wheels)

### Logistic dimensions

- Box size (mm): 1200 (W) x 700 (D) x 320 (H) - 50 kg
- EAN **8719481480011**

### About the Wallom2 lift

The Wallom2 owns a high quality solid lift system with a linear actuator of LINAK®.

- Smooth and soundless lift system
- Robust and strong design
- Lifetime lift (cycle up & down): 10.000

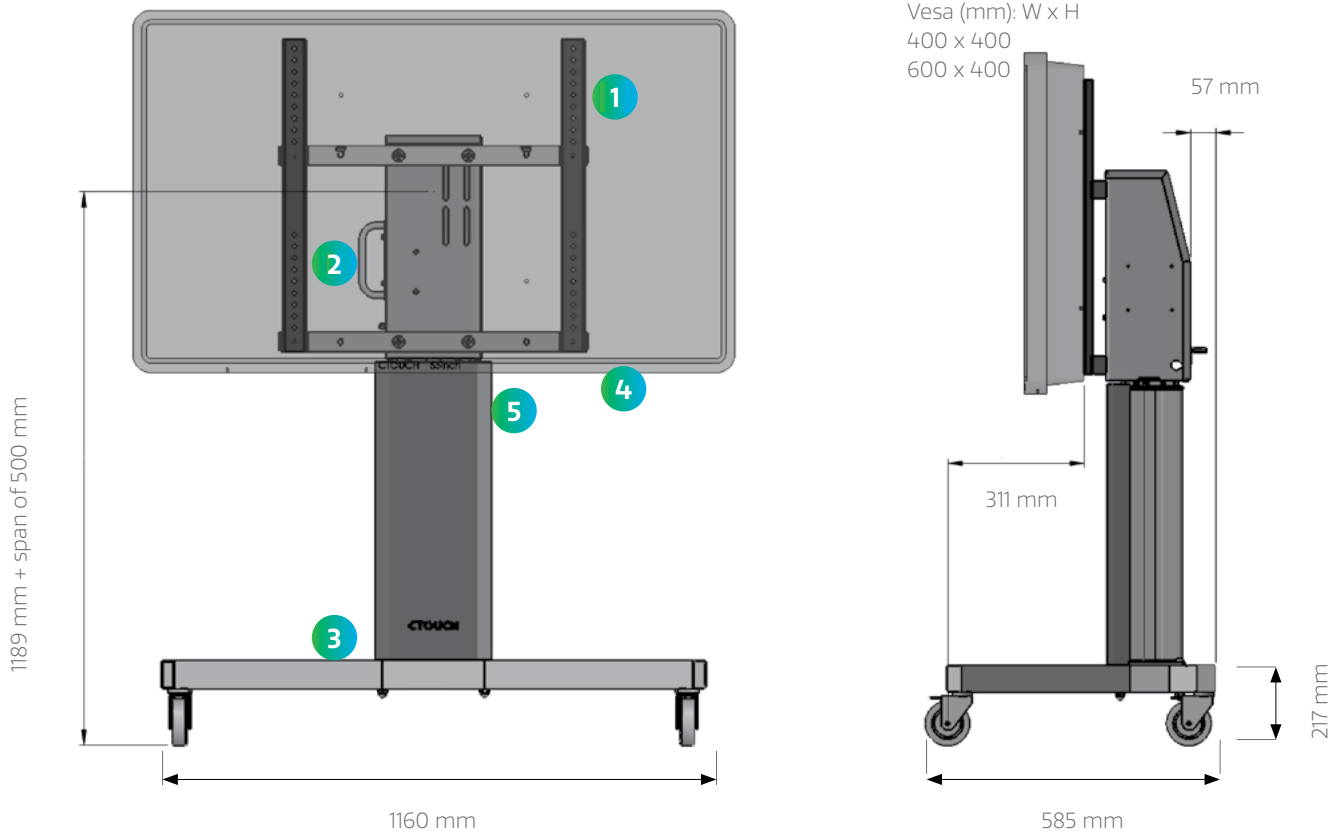
### About the Wallom2 castors:

CTOUCH knows that if you choose a mobile lift it should be easy to maneuver the unit. Therefore we chose the state-of-the-art brand castors from TENTE®, one of the world's best manufacturers wheels and castors. The swivel castors, of which two have a wheel brake:

- Are made of high quality synthetic material
- Turns & rolls smoothly, almost soundless
- Leaves no marks while moving
- Are corrosion protected, for a long life span



# Optional accessories



### Display configurations

Wallom2 mobile lift height positions

	Default bracket		With optional extension bracket	
	bottom display in lowest position	top display in highest position	bottom display in lowest position	top display in highest position*
<b>55 INCH</b>	704	1985	474	2215
<b>65 INCH</b>	650	2052	420	2282
<b>70 INCH</b>	713	2181	483	2411
<b>75 INCH</b>	591	2119	361	2349
<b>86 INCH</b>	537	2215	N/A	N/A

Check out [www.ctouch.eu](http://www.ctouch.eu) for more information.

All rights reserved. CTOUCH products and services mentioned herein as well as their respective logos are trademarks or registered trademarks of CTOUCH Europe B.V.. All other product and service names mentioned are the trademarks of their respective owners. All weights and dimensions are approximate. Product specifications are subject to change without prior notification.

Share, inspire, have fun!  
With CTOUCH by your side.