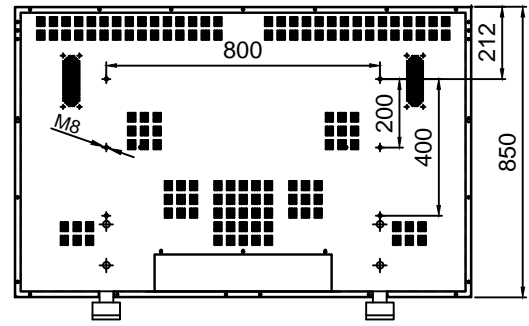
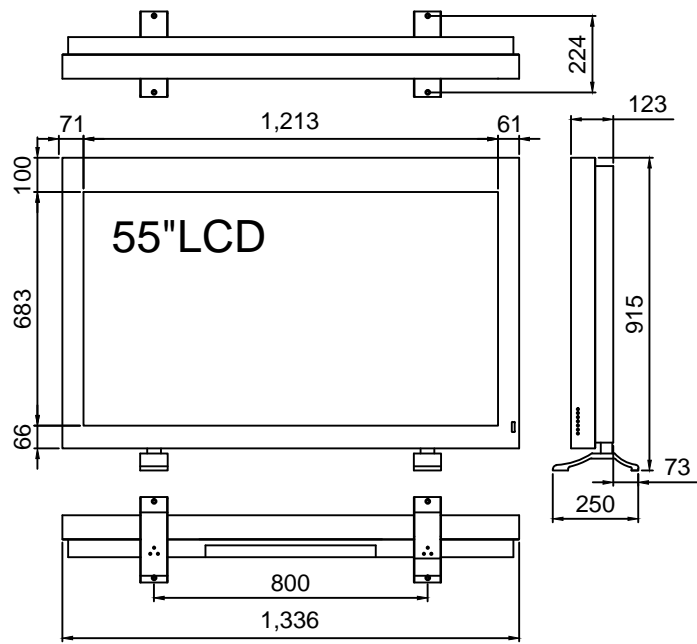


REVISION			
△			



No	DESCRIPTION				Q'TY	REMARKS	REV.
MATERIAL		DRAW	DESIGN	CHECK	APPRO.	TITLE	
FINISH						55" LCD INTERACTIVE OUTLINE	
TOLERANCE	Decimal	Angle				PART No.	
	$\frac{x}{xx}$	$\frac{\#}{\#0.05}$				DWG No.	
SCALE	1:1	UNIT mm	MODEL				
REVISION	IR	SHEET	CP NAME				

AHA