

## Connectivity

Wired, wireless or integrated intelligence

No more hassling with cables, The OPS slot enables you to add a wireless mini pc that complies to a worldwide standard. CTOUCH OPS (Open Pluggable Specification) module brings you a powerful and reliable solution with Intel i7 processing power. WiFi, Bluetooth and Intel WiDi makes any interaction with a CTOUCH display, a true experience.

**Product number**

- OPS MODULE: 10052013

**System board**

- Intel® 4th Generation Quad Core™
- Mobile Processors: i7-4850 HQQ, 6MB Cache, up to 3.5 GHZ
- Intel® Express Chipset with AMT 9.0 function: QM87

**Graphic**

- 4K UHD & 2K resolution support: Iris Pro 5200 Graphic on-board

**Memory / Storage**

- Two DDR3L 1600MT/s SO-DIMM Sockets to support up to 16GB memory (default set 8GB)
- Default set: 128 GB MSATA SSD
- Support Removable 2.5" slim type SATA III HDD or SSD

**BIOS**

- AMI uEFI BIOS

**V pro Support**

- Remote support access

**OS**

- Windows Embedded 8.1 Industry PRO

**Optional Wireless connections**

- Wi-Fi/BT and Wi-Di support (option)

**I/O Interface-Front**

- 1x Power button with LED
- 1x Reset button
- 1x HDD LED
- 4x USB 3.0
- 1x HDMI
- 1x DP
- 1x Audio jack for Line-out/MIC-In
- 2x RJ45 with LEDs for Gigabit LAN
- 1x Removable 2.5" slim type SATA HDD or SSD support
- 2x Antennas

**Custom Interface-Rear**

- 1x DP or HDMI or TMDS
- 1x UART
- 1x Audio out L/R
- 2x USB 2.0
- 2x USB 3.0
- 1x DC input 12 V / 5 A
- 1x Control Signal

**Input Voltage**

- 12V to 19V DC input

**Expansion Slots**

- 2x mini-PCIE slots (1x half size and 1x full size)
- 1x SIM card slot

**Cooling**

- Custom system fan with smart fan speed control function

**OS Support**

- Windows XP/XPE/7/8

**Temperature / Humidity**

- Operation: 0 C to 45 C, 0% -90%, non-condensing
- Storage: -20 C to 80 C, 0% -90%, non-condensing
- Humidity: 10 to 90% (non-condensing)

**Construction**

- Aluminum Casing

**Dimension**

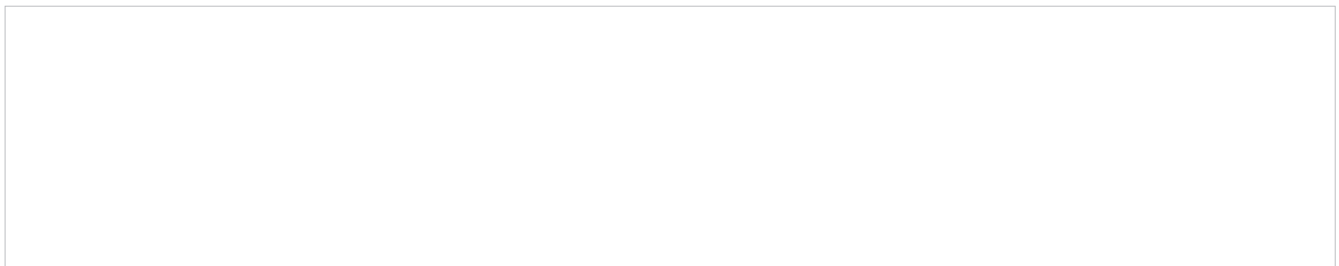
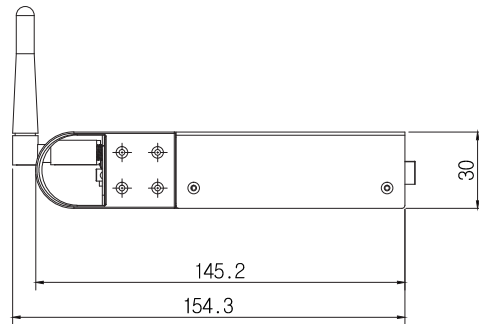
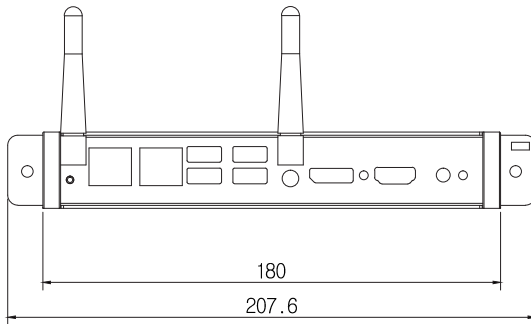
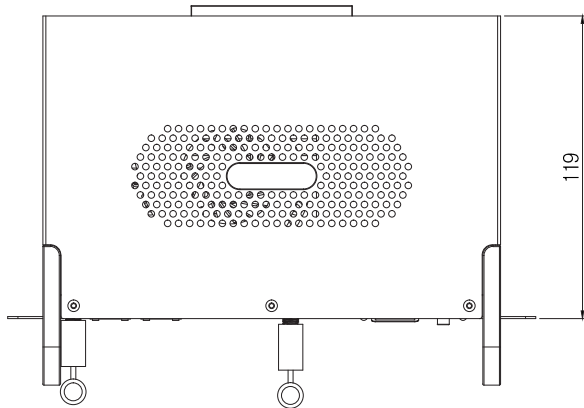
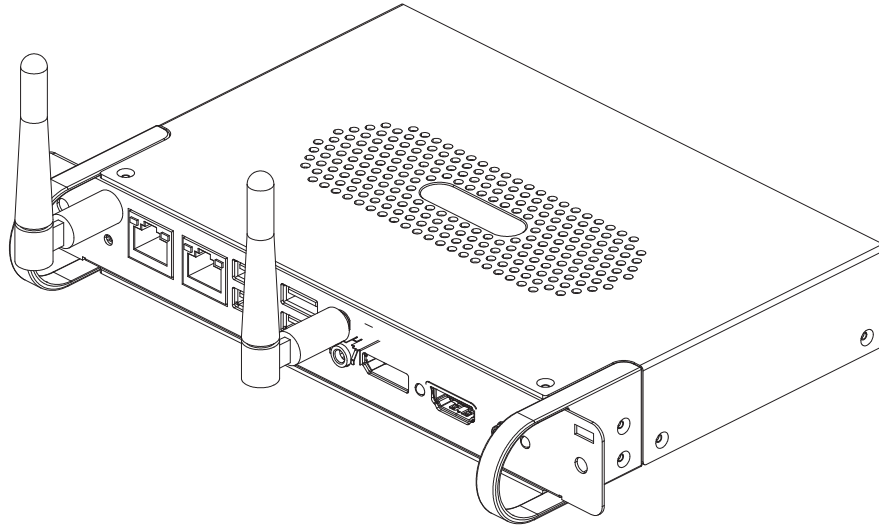
- 200 x 119 x 30 mm (OPS compliant)

**Warranty**

- 3 years - carry in

**Logistic dimensions**

- Box size (mm): 230 (W) x 190 (H) x 160 (D)
- Gross weight: 0,5 kg
- EAN no.: 8718868301444



All rights reserved. CTOUCH products and services mentioned herein as well as their respective logos are trademarks or registered trademarks of CTOUCH Europe B.V.. All other product and service names mentioned are the trademarks of their respective owners.